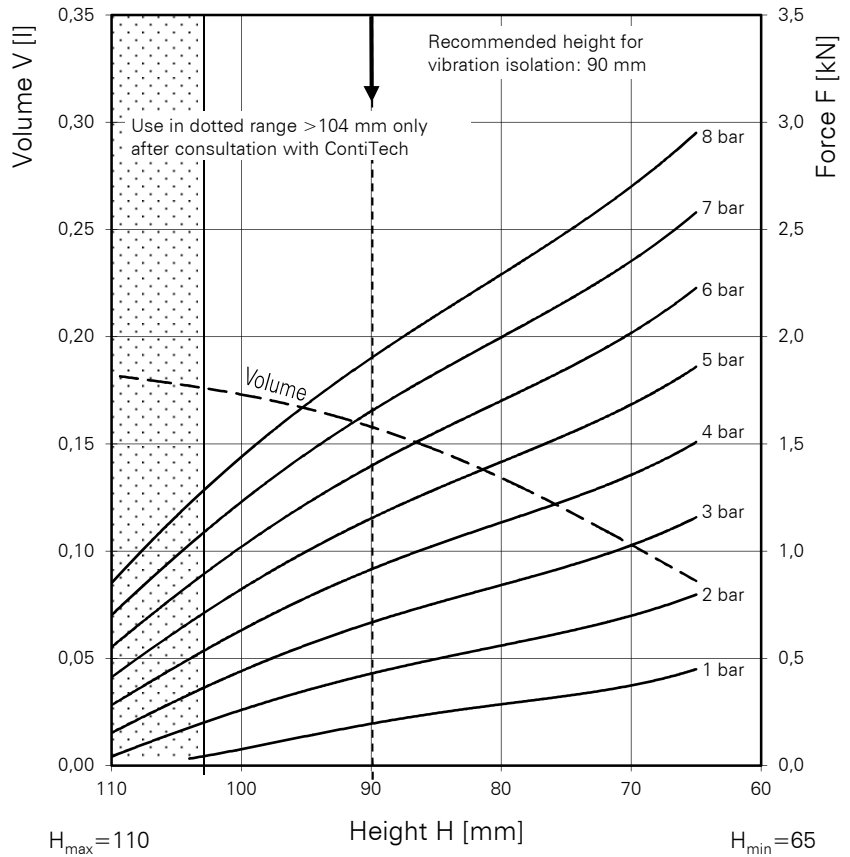
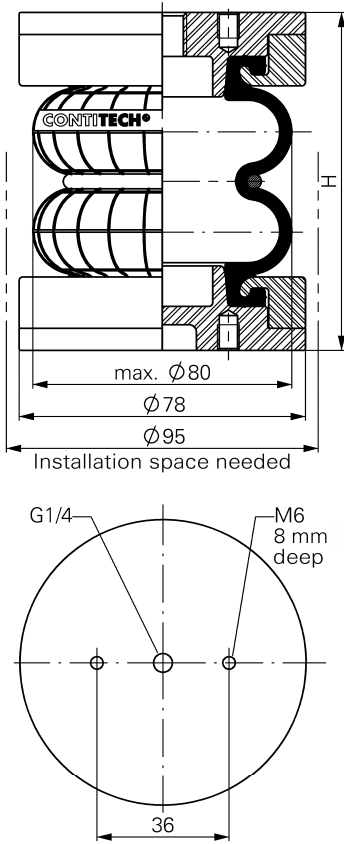


FD 22-4 DI CR

Double Convolution Air Spring



Purchase order data

| | |
|--|-----------|
| Type | Order No. |
| CR-Rubber bellows only | 69378 |
| CR-Rubber bellows, with aluminium plates and G 1/4 air inlet | 69341 |

Additional types on request

Technical data

| | |
|-----------------------------|---------|
| Min. pressure | 0 bar |
| Return force to min. height | ≤ 200 N |
| Overall weight with plates | 0.48 kg |

Vibration isolation - dynamic characteristic values

Design height H: recommended 90mm, minimum 80mm

| Pressure p [bar] | 3 | 4 | 5 | 6 | 7 | 8 | Vol. V[l] | |
|------------------------|-----|-----|-----|-----|-----|-----|-----------|------|
| Force (Load) [kN] | 0.7 | 0.9 | 1.1 | 1.4 | 1.6 | 1.9 | | 0.16 |
| Spring rate [N/cm] | 400 | 490 | 570 | 660 | 750 | 830 | | |
| Natural frequency [Hz] | 4.0 | 3.8 | 3.6 | 3.5 | 3.5 | 3.4 | | |

Pneumatic application - static characteristic values

| Pressure p [bar] | 3 | 4 | 5 | 6 | 7 | 8 | Vol.[l] | | |
|------------------|-----|------|------|------|------|------|---------|------|------|
| Force F [kN] | | | | | | | | 0.16 | |
| Height H [mm] | 100 | 0.44 | 0.63 | 0.82 | 1.02 | 1.23 | | | 1.44 |
| | 90 | 0.66 | 0.91 | 1.15 | 1.39 | 1.65 | | | 1.90 |
| | 80 | 0.85 | 1.14 | 1.42 | 1.71 | 2.00 | 2.29 | | |
| | 70 | 1.02 | 1.35 | 1.68 | 2.01 | 2.35 | 2.70 | | |



Service instructions
M6 = 5 Nm
G 1/4 = 15 Nm

Measuring procedure: Room temperature / Force- height- data quasistatic / Dynamic data at 1 Hz