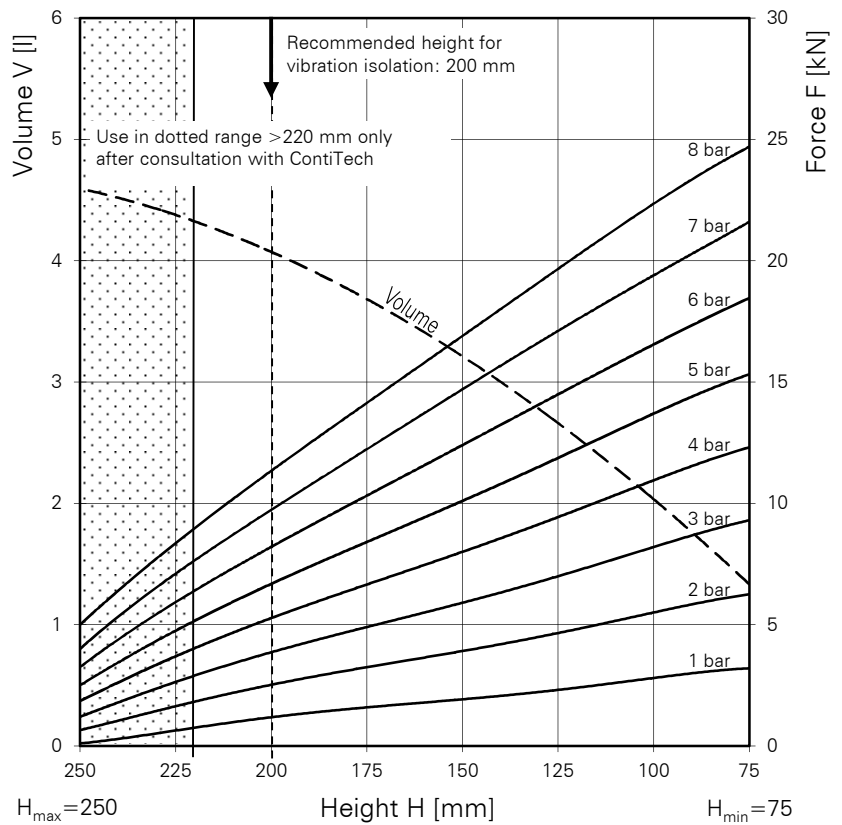
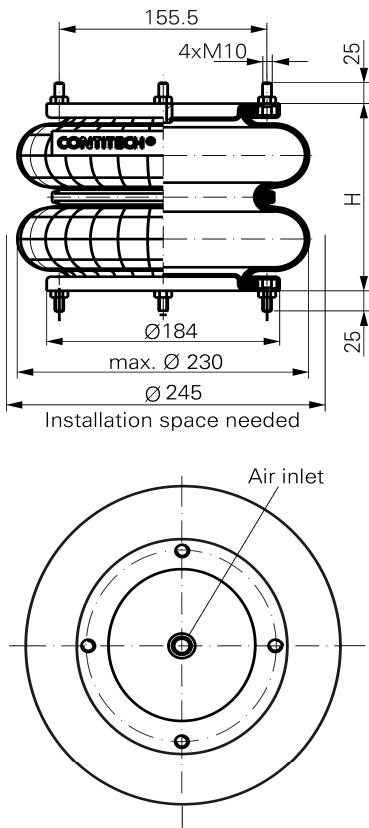


FD 138-18 DS

Double Convolution Air Spring



FD 138-18 DS

Force-height diagram

Purchase order data

Type	Order No.
Rubber bellows only	66501
With removable plates and G 1/2 air inlet	66505

Additional types on request

Technical data

Min. pressure	0 bar
Return force to min. height	≤ 300 N
Overall weight with metal plates	3.5 kg

Vibration isolation - dynamic characteristic values

Design height H: recommended 200mm, minimum 180mm

Pressure p [bar]	3	4	5	6	7	8	Vol V [l]
Force (Load) [kN]	3.9	5.3	6.7	8.2	9.7	11.3	
Spring rate [N/cm]	760	970	1185	1400	1610	1815	
Natural frequency [Hz]	2.2	2.2	2.1	2.1	2.1	2.0	

Pneumatic application - static characteristic values

Force F [kN]

Pressure p [bar]	3	4	5	6	7	8	Vol. [l]	
Height H [mm]	220	2.9	4.0	5.2	6.4	7.7		4.3
	200	3.9	5.3	6.7	8.2	9.7		4.1
	150	5.9	8.0	10.1	12.4	14.7		3.2
	100	8.2	11.0	13.7	16.6	19.4	2.0	



Service instructions
 M10 = 25 Nm
 G 1/2 = 25 Nm

Measuring procedure: Room temperature / Force- height- data quasistatic / Dynamic data at 1 Hz