

**ELSA Fittings PVDF (Push-in)**

ELSA the Established push-in connector from AVS-Römer


**PVDF version**

Operating pressure Technical vacuum up to maximum pressure as stated in the respective specification table under OP. Temperature range 0 °C to +120 °C (for restrictions see specification table)

**Application**

ELSA push-in fittings made of PVDF, due to their very high chemical resistance even at high temperatures, are mainly used in the chemical industries. These push-in fittings are equipped with FDA-compliant FKM sealing rings as standard, on request they are available with FDA-compliant and KTW-approved EPDM sealing rings.

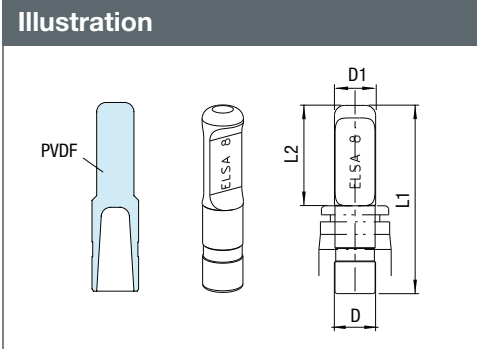
**CHARACTERISTICS**
**BODY MATERIAL / SUITABILITY**

<b>Plastic PVDF</b>	<b>Polyvinylidene fluoride.</b> Suitable for many aggressive media. The FKM sealing ring is FDA-compliant and can be used in the food and pharmaceutical industries.	
Other materials	see relevant products	
Approval	NSF/ANSI 169	
<b>TUBE</b>		
Outside diameter [mm]	4, 6 and 8	10, 12
Permitted tolerance [mm]	±0.1	±0.15
Permitted grades	Polyamide (PA), polyurethane (PU), fluorine polymer (FEP and PFA)	
<b>THREAD</b>		
External thread	"M" cylindrical thread: Metric ISO thread M5	
External thread	"G" cylindrical thread: Whitworth pipe thread DIN ISO 228-1 G 1/8 up to G 3/8	
Internal thread	"G" cylindrical thread: Whitworth pipe thread DIN ISO 228-1 G 1/8 up to G 1/4	
<b>OPERATING PRESSURE / TEMPERATURE</b>		
Plastic version	Max. Operating pressure OP at the stated ambient temp. and medium temp. according to table	Means that the allowable operating pressure OP within the allowable ambient temperature also depends on the medium temperature in accordance with the specification table.
<b>Allowable operating pressure and operating temperature of pipe/tube must be observed!</b>		
<b>THREAD SEAL</b>		
Cylindrical threaded nipple	Thread sealed by a FKM O-Ring in recess	applies to all cylindrical threaded nipples
<b>"ROTATABLE" VERSION</b>		
90° elbow-, T- and Y-adaptors, male	not suitable for rotating or oscill. movements	Some types of fittings rotate 360° in order to facilitate alignment during assembly.
<b>SPECIAL VERSIONS (NOT INCLUDED IN THE CATALOGUE)</b>		
We also manufacture ELSA push-in fittings in various customer-specific versions. <ul style="list-style-type: none"> <li>• other O-ring materials such as EPDM, FDA-compliant</li> <li>• for pipes/tubes with inch dimensions</li> <li>• "R" conical threaded fitting</li> </ul>		

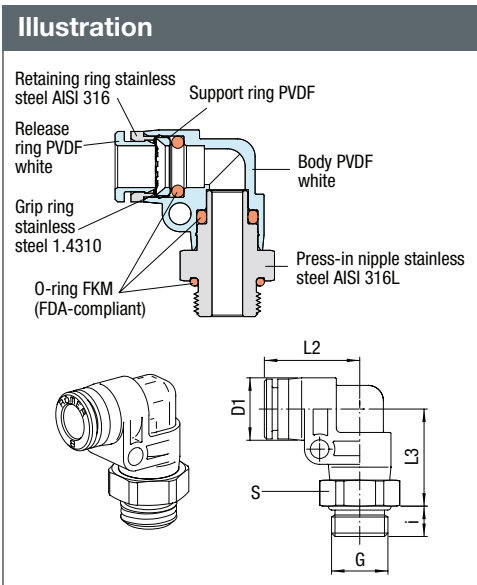




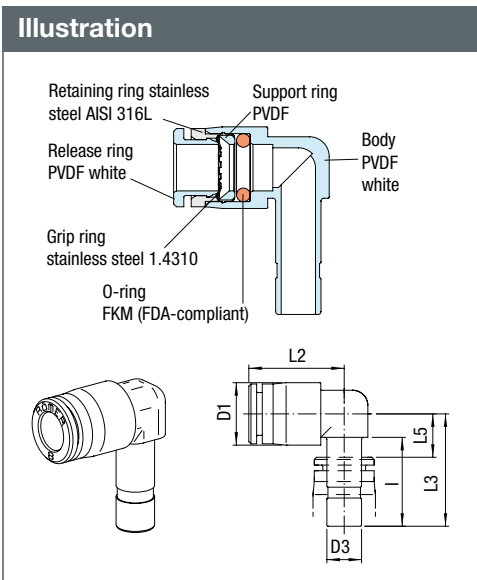
Push-in Plug											
Product group	12	Max. allow. OP at ambient temp. $T_{min} -20\text{ °C}, T_{max} +60\text{ °C}$			L1	L2	D1	Weight in [g]	Type	Order number	Price
		20 °C	100 °C	120 °C							
for push-in connector D											
4		16	16	10	31.5	17	6	0.7	971V-4	237454	o. r.
6		16	16	10	34.5	19	8	1.2	971V-6	237460	o. r.
8		16	12	10	37.5	20	8	1.7	971V-8	237462	o. r.
10		16	12	10	40.5	20.5	8	2.3	971V-10	237465	o. r.



90° Elbow Adaptor - Male - Positionable												
Product group	12	Max. allow. OP at ambient temp. $T_{min} 0\text{ °C}, T_{max} +60\text{ °C}$			Thread cylindrical	Thread sealed by a FKM O-Ring in recess	not suitable for rotating or oscill. movement	NSF	Plastic PVDF	Order number	Price	
		20 °C	100 °C	120 °C								
for tube D	G	Max. allow. OP [bar] at medium temp.			i	L2	L3	D1	S	Weight in [g]	Type	
4	M 5	16	10	3	3.5	14.5	11	10	8	3.4	930V-4FF-M5	367334 o. r.
4	G 1/8	16	10	3	5	18.5	19.5	12.5	13	18.3	930V-4FF-1/8	367335 o. r.
4	G 1/4	16	10	3	7	18.5	20	12.5	17	24.6	930V-4FF-1/4	367348 o. r.
6	M 5	16	10	3	3.5	16.5	11	12	8	3.8	930V-6FF-M5	367336 o. r.
6	G 1/8	16	10	3	5	19	19.5	12.5	13	15.9	930V-6FF-1/8	367337 o. r.
6	G 1/4	16	10	3	7	19	20	12.5	17	28.5	930V-6FF-1/4	367338 o. r.
8	G 1/8	16	8	3	5	22	22	14.5	14	19	930V-8FF-1/8	367339 o. r.
8	G 1/4	16	8	3	7	22	22.5	14.5	17	26.4	930V-8FF-1/4	367340 o. r.
8	G 3/8	16	8	3	8	22	22.5	14.5	19	35.2	930V-8FF-3/8	367341 o. r.
10	G 1/4	12	6	3	7	26	25.5	17	17	32.2	930V-10FF-1/4	367342 o. r.
10	G 3/8	12	6	3	8	26	25.5	17	19	40.7	930V-10FF-3/8	367343 o. r.
12	G 1/4	12	6	3	7	31	30.5	23	22	57.6	930V-12FF-1/4	367349 o. r.
12	G 3/8	12	6	3	8	31	30.5	23	22	58	930V-12FF-3/8	367350 o. r.

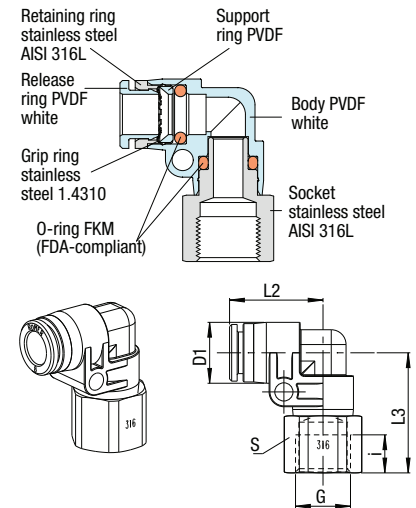


90° Elbow Connector with Stem												
Product group	12	Max. allow. OP at ambient temp. $T_{min} 0\text{ °C}, T_{max} +60\text{ °C}$			L2	L3	D1	L5	Weight in [g]	Type	Order number	Price
		20 °C	100 °C	120 °C								
for tube D	Stem D3	Max. allow. OP [bar] at medium temp.			i							
4	4	16	10	3	17	18.5	21.5	12.5	6.6	3.7	911V-4FF-D4	367028 o. r.
4	6	16	10	3	18	18.5	22.5	12.5	6.7	3.8	911V-4FF-D6	367029 o. r.
6	4	16	10	3	17	19	21.5	12.5	6.6	3.8	911V-6FF-D4	367030 o. r.
6	6	16	10	3	18	19	22.5	12.5	6.7	3.8	911V-6FF-D6	367031 o. r.
6	8	16	10	3	20.5	22	26	14.5	8.3	5.6	911V-6FF-D8	367032 o. r.
8	8	16	8	3	20.5	22	26	14.5	8.3	5.7	911V-8FF-D8	367033 o. r.
8	10	16	8	3	24	25.5	32	17	12	8.5	911V-8FF-D10	367034 o. r.
10	10	12	6	3	24	26	32	17	12	10.1	911V-10FF-D10	367035 o. r.

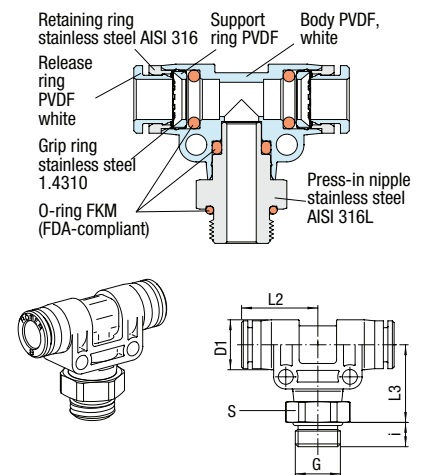


**90° Elbow Adaptor - Female - Positionable**

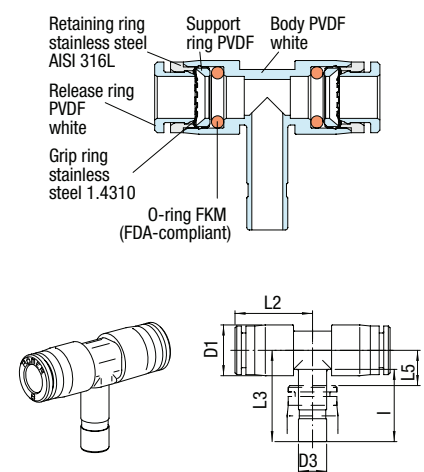
Product group	<b>12</b>	Max. allow. OP at ambient temp. $T_{min} 0\text{ °C}, T_{max} +60\text{ °C}$			Thread cylindrical	not suitable for rotating or oscill. movement			<b>Plastic PVDF</b>				
for tube D	G	Max. allow. OP [bar] at medium temp.			i	L2	L3	D1	S	Weight in [g]	Type	Order number	Price
		20 °C	100 °C	120 °C									
4	G 1/8	16	10	3	6.5	18.5	24.5	12.5	13	16.3	979V-4FF-1/8	367880	o. r.
4	G 1/4	16	10	3	9	18.5	27.5	12.5	17	24.7	979V-4FF-1/4	367881	o. r.
6	G 1/8	16	10	3	6.5	19	24.5	12.5	13	16.3	979V-6FF-1/8	367882	o. r.
6	G 1/4	16	10	3	9	19	27.5	12.5	17	24.7	979V-6FF-1/4	367883	o. r.
8	G 1/8	16	8	3	6.5	22	25	14.5	17	24.9	979V-8FF-1/8	367884	o. r.
8	G 1/4	16	8	3	9	22	30	14.5	17	27	979V-8FF-1/4	367885	o. r.

**Illustration**

**T-Adaptor - Male - Positionable**

Product group	<b>12</b>	Max. allow. OP at ambient temp. $T_{min} 0\text{ °C}, T_{max} +60\text{ °C}$			Thread cylindrical	Thread sealed by a FKM O-Ring in recess	not suitable for rotating or oscill. movement			<b>Plastic PVDF</b>			
for tube D	G	Max. allow. OP [bar] at medium temp.			i	L2	L3	D1	S	Weight in [g]	Type	Order number	Price
		20 °C	100 °C	120 °C									
4	G 1/8	16	10	3	5	18.5	19.5	12.5	13	19.4	921V-4FF-1/8	367356	o. r.
4	G 1/4	16	10	3	7	18.5	20	12.5	17	28.5	921V-4FF-1/4	367357	o. r.
6	G 1/8	16	10	3	5	19	19.5	12.5	13	19.7	921V-6FF-1/8	367362	o. r.
6	G 1/4	16	10	3	7	19	20	12.5	17	28.7	921V-6FF-1/4	367363	o. r.
8	G 1/8	16	8	3	5	22	22	14.5	14	24.1	921V-8FF-1/8	367366	o. r.
8	G 1/4	16	8	3	7	22	22.5	14.5	17	31.4	921V-8FF-1/4	367367	o. r.
8	G 3/8	16	8	3	8	22	22.5	14.5	19	40.2	921V-8FF-3/8	367368	o. r.
10	G 1/4	12	6	3	7	26	25.5	17	17	40.3	921V-10FF-1/4	367371	o. r.
10	G 3/8	12	6	3	8	26	25.5	17	19	48.3	921V-10FF-3/8	367372	o. r.
12	G 1/4	12	6	3	7	31	30.5	23	22	66.1	921V-12FF-1/4	367374	o. r.
12	G 3/8	12	6	3	8	31	30.5	23	22	74.1	921V-12FF-3/8	367375	o. r.

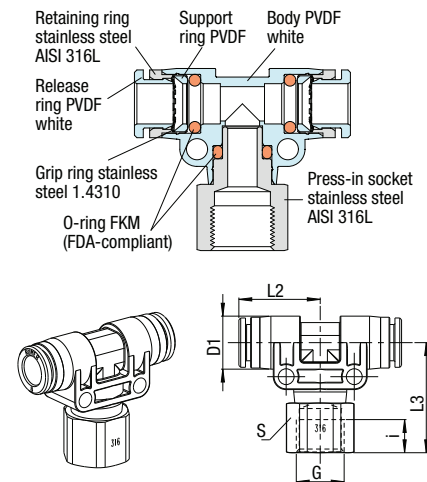
**Illustration**

**T-Stem Connector**

Product group	<b>12</b>	Max. allow. OP at ambient temp. $T_{min} 0\text{ °C}, T_{max} +60\text{ °C}$								<b>Plastic PVDF</b>			
for tube D	Stem D3	Max. allow. OP [bar] at medium temp.			l	L2	L3	D1	L5	Weight in [g]	Type	Order number	Price
		20 °C	100 °C	120 °C									
4	4	16	10	3	17	18.5	21.5	12.5	8.5	7.1	912V-4FF-D4	367036	o. r.
4	6	16	10	3	18	18.5	22.5	12.5	8.5	7.3	912V-4FF-D6	367037	o. r.
6	4	16	10	3	17	19	21.5	12.5	8.5	7.1	912V-6FF-D4	367038	o. r.
6	6	16	10	3	18	19	22.5	12.5	8.5	7.3	912V-6FF-D6	367039	o. r.
6	8	16	10	3	20.5	21.5	26	14.5	10.5	10.5	912V-6FF-D8	367040	o. r.
8	8	16	8	3	20.5	21.5	26	14.5	10.5	10.7	912V-8FF-D8	367041	o. r.
8	10	16	8	3	24	25.5	32	17	14	16.2	912V-8FF-D10	367042	o. r.
10	10	12	6	3	24	26	32	17	14	16.8	912V-10FF-D10	367043	o. r.

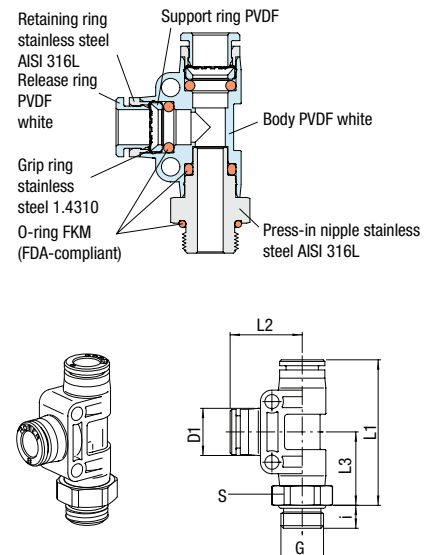
**Illustration**


**T-Adaptor - Female - Positionable**

Product group	<b>12</b>	Max. allow. OP at ambient temp. $T_{min} 0\text{ °C}, T_{max} +60\text{ °C}$			Thread cylindrical			not suitable for rotating or oscill. movement				Plastic PVDF	
for tube D	G	Max. allow. OP [bar] at medium temp.			i	L2	L3	D1	S	Weight in [g]	Type	Order number	Price
		20 °C	100 °C	120 °C									
4	G 1/8	16	10	3	6.5	18.5	24.5	12.5	13	19.9	970V-4FF-1/8	367888	o. r.
4	G 1/4	16	10	3	9	18.5	27.5	12.5	17	28.3	970V-4FF-1/4	367889	o. r.
6	G 1/8	16	10	3	6.5	19	24.5	12.5	13	19.9	970V-6FF-1/8	367890	o. r.
6	G 1/4	16	10	3	9	19	27.5	12.5	17	28.3	970V-6FF-1/4	367891	o. r.
8	G 1/8	16	8	3	6.5	22	25	14.5	17	29.9	970V-8FF-1/8	367892	o. r.
8	G 1/4	16	8	3	9	22	30	14.5	17	32	970V-8FF-1/4	367893	o. r.

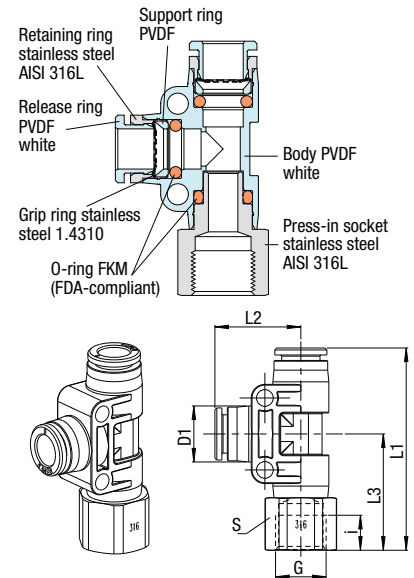
**Illustration**

**Side T-Adaptor - Male - Positionable**

Product group	<b>12</b>	Max. allow. OP at ambient temp. $T_{min} 0\text{ °C}, T_{max} +60\text{ °C}$			Thread cylindrical			Thread sealed by a FKM O-Ring in recess			not suitable for rotating or oscill. movement				Plastic PVDF	
for tube D	G	Max. allow. OP [bar] at medium temp.			i	L1	L2	L3	D1	S	Weight in [g]	Type	Order number	Price		
		20 °C	100 °C	120 °C												
4	G 1/8	16	10	3	5	38	18.5	19.5	12.5	13	19.2	922V-4FF-1/8	367406	o. r.		
4	G 1/4	16	10	3	7	38.5	18.5	20	12.5	17	28.3	922V-4FF-1/4	367407	o. r.		
6	G 1/8	16	10	3	5	38.5	19	19.5	12.5	13	19.7	922V-6FF-1/8	367412	o. r.		
6	G 1/4	16	10	3	7	39	19	20	12.5	17	28.4	922V-6FF-1/4	367413	o. r.		
8	G 1/8	16	8	3	5	44	22	22	14.5	14	23.8	922V-8FF-1/8	367416	o. r.		
8	G 1/4	16	8	3	7	44.5	22	22.5	14.5	17	31.4	922V-8FF-1/4	367417	o. r.		
8	G 3/8	16	8	3	8	44.5	22	22.5	14.5	19	39.8	922V-8FF-3/8	367418	o. r.		
10	G 1/4	12	6	3	7	51.5	26	25.5	17	17	39.8	922V-10FF-1/4	367421	o. r.		
10	G 3/8	12	6	3	8	51.5	26	25.5	17	19	48.2	922V-10FF-3/8	367422	o. r.		
12	G 1/4	12	6	3	7	61.5	31	30.5	23	22	66.1	922V-12FF-1/4	367424	o. r.		
12	G 3/8	12	6	3	8	61.5	31	30.5	23	22	74.1	922V-12FF-3/8	367425	o. r.		

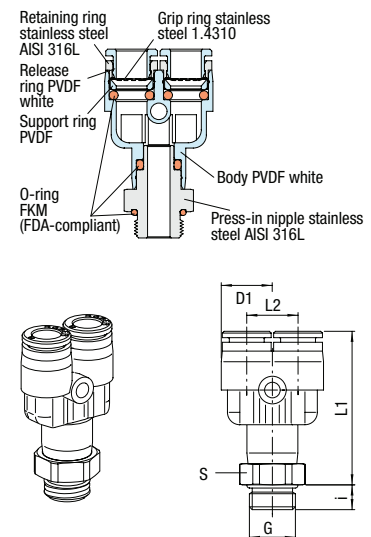
**Illustration**



**Side T-Adaptor - Female - Positionable**

for tube D	G	Max. allow. OP [bar] at medium temp.			i	L1	L2	L3	D1	S	Weight in [g]	Type	Order number	Price
		20 °C	100 °C	120 °C										
Product group 12		Max. allow. OP at ambient temp. T <sub>min</sub> 0 °C, T <sub>max</sub> +60 °C			Thread cylindrical		not suitable for rotating or oscill. movement		NSF		Plastic PVDF			
4	G 1/8	16	10	3	6.5	43	18.5	24.5	12.5	13	19.9	923V-4FF-1/8	367810	o. r.
4	G 1/4	16	10	3	9	46	18.5	27.5	12.5	17	28.3	923V-4FF-1/4	367811	o. r.
6	G 1/8	16	10	3	6.5	43.5	19	24.5	12.5	13	19.9	923V-6FF-1/8	367812	o. r.
6	G 1/4	16	10	3	9	46.5	19	27.5	12.5	17	28.3	923V-6FF-1/4	367813	o. r.
8	G 1/8	16	8	3	6.5	47	22	25	14.5	14	29.9	923V-8FF-1/8	367814	o. r.
8	G 1/4	16	8	3	9	52.5	22	30.5	14.5	17	32	923V-8FF-1/4	367815	o. r.

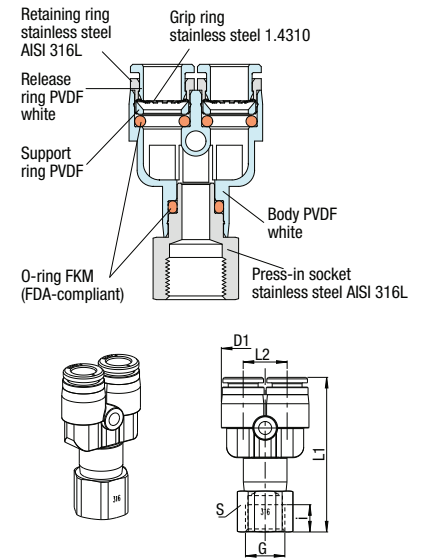
**Illustration**

**Y-Adaptor - Male - Positionable**

for tube D	G	Max. allow. OP [bar] at medium temp.			i	L1	L2	D1	S	Weight in [g]	Type	Order number	Price	
		20 °C	100 °C	120 °C										
Product group 12		Max. allow. OP at ambient temp. T <sub>min</sub> 0 °C, T <sub>max</sub> +60 °C			Thread cylindrical		Thread sealed by a FKM O-Ring in recess		not suitable for rotating or oscill. movement		NSF		Plastic PVDF	
4	G 1/8	16	10	3	5	38	12.5	12.5	13	19.2	992V-4FF-1/8	367456	o. r.	
4	G 1/4	16	10	3	7	38.5	12.5	12.5	17	28	992V-4FF-1/4	367457	o. r.	
6	G 1/8	16	10	3	5	38.5	12.5	12.5	13	19.6	992V-6FF-1/8	367462	o. r.	
6	G 1/4	16	10	3	7	39	12.5	12.5	17	28.3	992V-6FF-1/4	367463	o. r.	
8	G 1/8	16	8	3	5	43	14.5	14.5	14	24.1	992V-8FF-1/8	367466	o. r.	
8	G 1/4	16	8	3	7	43.5	14.5	14.5	17	31.8	992V-8FF-1/4	367467	o. r.	
8	G 3/8	16	8	3	8	43.5	14.5	14.5	19	40.2	992V-8FF-3/8	367468	o. r.	
10	G 1/4	12	6	3	7	49	17	17	17	38.6	992V-10FF-1/4	367471	o. r.	
10	G 3/8	12	6	3	8	49	17	17	19	47.1	992V-10FF-3/8	367472	o. r.	
12	G 1/4	12	6	3	7	55	20.5	21	22	65.1	992V-12FF-1/4	367474	o. r.	
12	G 3/8	12	6	3	8	55	20.5	21	22	74.1	992V-12FF-3/8	367475	o. r.	

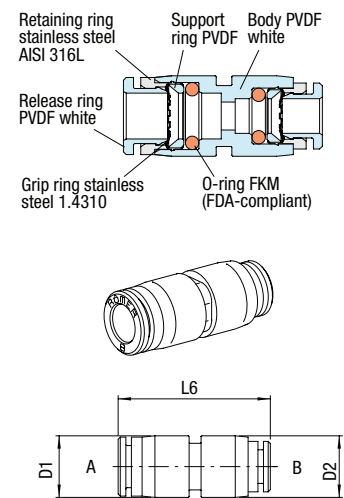
**Illustration**


**Y-Adaptor - Female - Positionable**

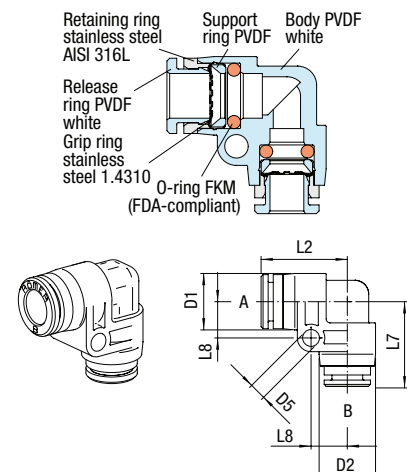
Product group <b>12</b>		Max. allow. OP at ambient temp. $T_{min} 0\text{ }^{\circ}\text{C}, T_{max} +60\text{ }^{\circ}\text{C}$			Thread cylindrical		not suitable for rotating or oscill. movement			NSF		Plastic PVDF	
for tube D	G	Max. allow. OP [bar] at medium temp.			i	L1	L2	D1	S	Weight in [g]	Type	Order number	Price
		20 °C	100 °C	120 °C									
4	G 1/8	16	10	3	6.5	43	12.5	12.5	13	19.9	993V-4FF-1/8	367820	o. r.
4	G 1/4	16	10	3	9	46	12.5	12.5	17	28.4	993V-4FF-1/4	367821	o. r.
6	G 1/8	16	10	3	6.5	43.5	12.5	12.5	13	19.7	993V-6FF-1/8	367822	o. r.
6	G 1/4	16	10	3	9	46.5	12.5	12.5	17	28.1	993V-6FF-1/4	367823	o. r.
8	G 1/8	16	8	3	6.5	46.5	14.5	14.5	14	30	993V-8FF-1/8	367824	o. r.
8	G 1/4	16	8	3	9	51.5	14.5	14.5	17	32.1	993V-8FF-1/4	367825	o. r.

**Illustration**

**Straight Adaptor**

Product group <b>12</b>		Max. allow. OP at ambient temp. $T_{min} 0\text{ }^{\circ}\text{C}, T_{max} +60\text{ }^{\circ}\text{C}$			NSF		Plastic PVDF				
for tube D	for tube BD	Max. allow. OP [bar] at medium temp.			L6	D1	D2	Weight in [g]	Type	Order number	Price
		20 °C	100 °C	120 °C							
4	4	16	10	3	30	10.5	10.5	6.2	958V-4FF	367504	o. r.
6	4	16	10	3	32	12.5	12.5	6.4	958V-6-4FF	367508	o. r.
6	6	16	10	3	32.5	12.5	12.5	6.6	958V-6FF	367510	o. r.
8	6	16	8	3	36	14.5	14.5	8.6	958V-8-6FF	367511	o. r.
8	8	16	8	3	36	14.5	14.5	8.8	958V-8FF	367512	o. r.
10	8	12	6	3	40.5	17	17	13	958V-10-8FF	367514	o. r.
10	10	12	6	3	41	17	17	13.5	958V-10FF	367515	o. r.
12	10	12	6	3	45	21	21	24.4	958V-12-10FF	367516	o. r.
12	12	12	6	3	45	21	21	26.8	958V-12FF	367517	o. r.

**Illustration**

**90° Elbow Connector**

Product group <b>12</b>		Max. allow. OP at ambient temp. $T_{min} 0\text{ }^{\circ}\text{C}, T_{max} +60\text{ }^{\circ}\text{C}$			NSF		Plastic PVDF							
for tube AD	for tube BD	Max. allow. OP [bar] at medium temp.			L2	L7	L8	D1	D2	D5	Weight in [g]	Type	Order number	Price
		20 °C	100 °C	120 °C										
4	4	16	10	3	18.5	18.5	8.3	12.5	12.5	4.3	7.3	955V-4FF	367554	o. r.
6	4	16	10	3	19	18.5	8.3	12.5	12.5	4.3	7.4	955V-6-4FF	367558	o. r.
6	6	16	10	3	19	19	8.3	12.5	12.5	4.3	7.5	955V-6FF	367560	o. r.
8	6	16	8	3	22	21.5	9.3	14.5	14.5	4.3	10.2	955V-8-6FF	367561	o. r.
8	8	16	8	3	22	22	9.3	14.5	14.5	4.3	10	955V-8FF	367562	o. r.
10	6	12	6	3	26	25	12	17	17	4.3	16	955V-10-6FF	367563	o. r.
10	8	12	6	3	26	25.5	12	17	17	4.3	19	955V-10-8FF	367564	o. r.
10	10	12	6	3	26	26	12	17	17	4.3	16	955V-10FF	367565	o. r.
12	12	12	6	3	31	31	12	23	23	4.3	32	955V-12FF	367567	o. r.

**Illustration**


## T-Connector

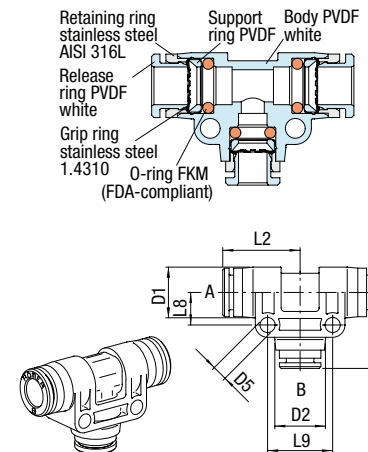
Product group **12** Max. allow. OP at ambient temp.  
 $T_{min}$  0 °C,  $T_{max}$  +60 °C



Plastic  
PVDF

for tube AD	for tube BD	Max. allow. OP [bar] at medium temp.			L2	L7	L8	L9	D1	D2	D5	Weight in [g]	Type	Order number	Price
		20 °C	100 °C	120 °C											
4	4	16	10	3	18.5	18.5	8.3	16.5	12.5	12.5	4.3	10.7	954V-4FF	367604	o. r.
6	4	16	10	3	19	18.5	8.3	16.5	12.5	12.5	4.3	11.1	954V-6-4FF	367608	o. r.
6	6	16	10	3	19	19	8.3	16.5	12.5	12.5	4.3	11.2	954V-6FF	367610	o. r.
6	8	16	8	3	21.5	22	9.3	18.5	14.5	14.5	4.3	15.4	954V-6-8FF	367639	o. r.
8	6	16	8	3	22	21.5	9.3	18.5	14.5	14.5	4.3	15.4	954V-8-6FF	367611	o. r.
8	8	16	8	3	22	22	9.3	18.5	14.5	14.5	4.3	15.4	954V-8FF	367612	o. r.
10	6	12	6	3	26	25	12	24	17	17	4.3	24.7	954V-10-6FF	367613	o. r.
10	8	12	6	3	26	25.5	12	24	17	17	4.3	24.7	954V-10-8FF	367614	o. r.
10	10	12	6	3	26	26	12	24	17	17	4.3	25.1	954V-10FF	367615	o. r.
12	12	12	6	3	31	31	12	24	23	23	4.3	o. r.	954V-12FF	367617	o. r.

## Illustration



## Y-Connector

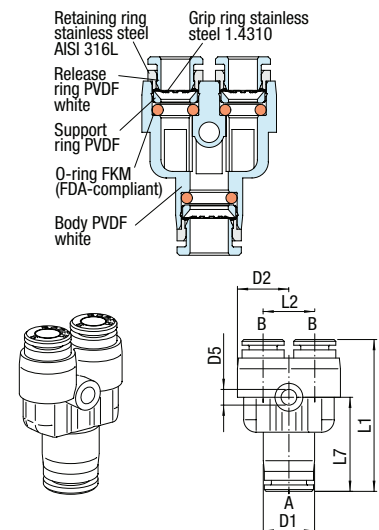
Product group **12** Max. allow. OP at ambient temp.  
 $T_{min}$  0 °C,  $T_{max}$  +60 °C



Plastic  
PVDF

for tube AD	for tube BD	Max. allow. OP [bar] at medium temp.			L1	L2	L7	D1	D2	D5	Weight in [g]	Type	Order number	Price
		20 °C	100 °C	120 °C										
4	4	16	10	3	37	12.5	22.5	12.5	12.5	3.3	10.8	982V-4FF	367654	o. r.
6	4	16	10	3	37.5	12.5	23	12.5	12.5	3.3	11	982V-6-4FF	367658	o. r.
6	6	16	10	3	38	12.5	23	12.5	12.5	3.3	11.2	982V-6FF	367660	o. r.
8	6	16	8	3	43	14.5	26.5	14.5	14.5	4.3	16	982V-8-6FF	367661	o. r.
8	8	16	8	3	43	14.5	26.5	14.5	14.5	4.3	16.9	982V-8FF	367662	o. r.
10	8	12	6	3	48.5	17	31	17	17	4.3	23.1	982V-10-8FF	367664	o. r.
10	10	12	6	3	49	17	31	17	17	4.3	24.4	982V-10FF	367665	o. r.
12	12	12	6	3	55.5	20.5	35.5	21	21	4.3	38	982V-12FF	367667	o. r.

## Illustration



## Straight Bulkhead Connector

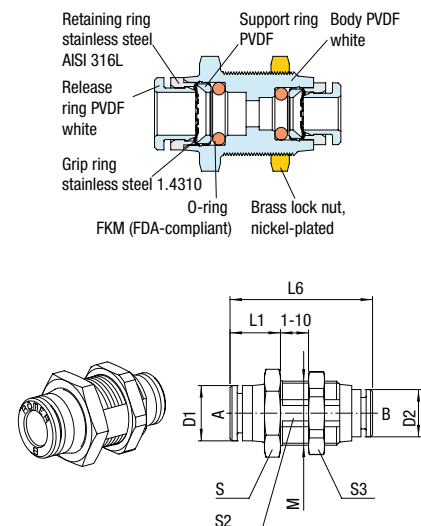
Product group **12** Max. allow. OP at ambient temp.  
 $T_{min}$  0 °C,  $T_{max}$  +60 °C



Plastic  
PVDF

for tube AD	for tube BD	Max. allow. OP [bar] at medium temp.			M	L1	L6	D1	D2	S	S2	S3	Weight in [g]	Type	Order number	Price
		20 °C	100 °C	120 °C												
4	4	16	10	3	M14x1	10.5	31.5	9.5	9.5	17	12.5	17	10	959V-4FF	367704	o. r.
6	4	16	10	3	M14x1	11	32	11.5	9.5	17	12.5	17	10	959V-6-4FF	367708	o. r.
6	6	16	10	3	M14x1	11	32.5	11.5	11.5	17	12.5	17	10.4	959V-6FF	367710	o. r.
8	6	16	8	3	M16x1	12.5	36	14	11.5	19	14.5	19	13.6	959V-8-6FF	367711	o. r.
8	8	16	8	3	M16x1	12.5	36	14	14	19	14.5	19	13.6	959V-8FF	367712	o. r.
10	8	12	6	3	M20x1	14	40.5	16.5	14	22	18	24*	22.6	959V-10-8FF	367714	o. r.
10	10	12	6	3	M20x1	14	41	16.5	16.5	22	18	24*	23	959V-10FF	367715	o. r.

## Illustration



\* S24 = Octagon