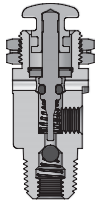


# TAC VALVES

## INTRODUCTION

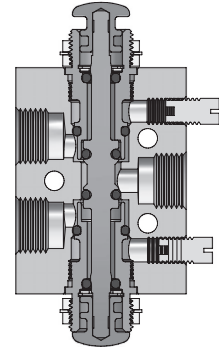
Based on their long life, small size, rugged construction and attractive appearance, the Humphrey TAC, TAC2 and TAC3 family of manual/mechanical air valves are popular choices by design automation engineers. The small stainless steel push button or plated-steel toggle are popular for panel mounting solutions to start, sequence or control equipment with the same outward appearance as traditional electric-style machine controls. The wide variety of valves is available as 2-, 3- and 4-way, in three sizes, and either spring return or detent function. Unique and miniature, three-position, 4-way, exhaust-center valves, in toggle or rocker operator, are also available.



3P

### TAC VALVE FEATURES:

- Work-hardened, SST button attached, as standard.
- Button bottoms out, limits overstroke/internal damage.
- TAC bodies include hex for wrench engagement.
- Electric style, 15/32-32 threaded collar for panel mount.
- "Building block" approach to pneumatic automation.
- Unique "Air Operators" simplify pneumatic circuitry.



41PP

TAC VALVES

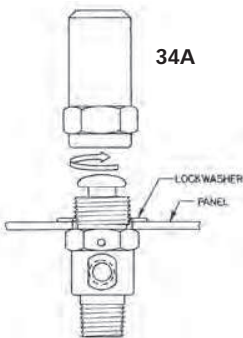
## HUMPHREY TAC "TOTAL AIR CONTROL" SYSTEM

Humphrey asserts pneumatic logic and sequencing provides a simple, reliable, cost effective alternative to PC or PLC control.

Many of today's simpler machine control, secondary operations, and assembly fixtures do not require, or sometimes even permit expensive PC or PLC control, particularly in hazardous environments.

The heart of Humphrey TAC "Total Air Control" system is the push button valve. All TAC/TAC2 push button valves are produced with a single-button operator design, such that a variety of manual, mechanical, or air-pilot operators

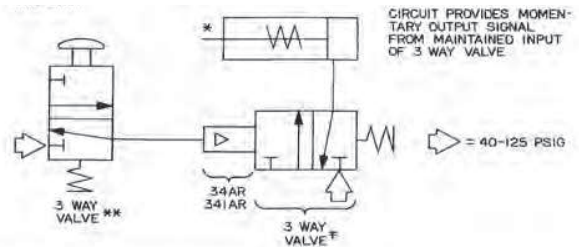
can be added with ease (i.e., thread-on air operator, 34A, to 3P valve, and 3P push button valve becomes air-pilot valve). Consult factory representative for TAC3 push button valves.



34A

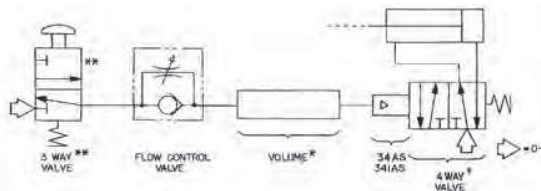
3P Push Button

Complementing the TAC and TAC2 valve line-up, Humphrey offers a variety of valve operators, auxiliary items, and miniature fittings, effectively "arming" the engineer technician with a complete toolbox of logic items to resolve factory automation problems pneumatically.



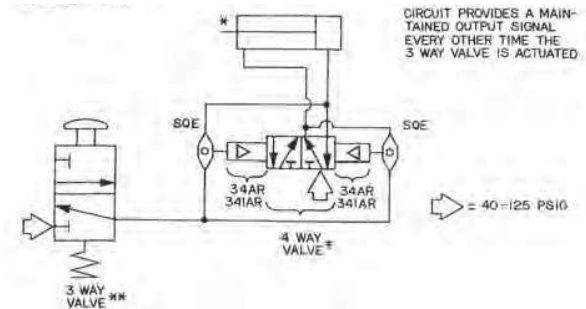
- \* Single acting cylinder shown.
- \*\* Valve used can be any 3-way or from one side of any 4-way.
- † Valve used with 34AR or 341AR operator must be TAC Series, but can be 2-, 3-, or 4-way depending on work function.

One Shot



- \* One cubic inch of volume equals approximately two seconds delay.
- † Valve used with 34AS or 341AS actuator must be TAC Series but can be either 2-, 3- or 4-way depending on work function (Double Acting Cylinder shown).
- \*\* Valve used can be any 3-way or from one side of any 4-way.

Time Delay Circuit



- \* Double acting cylinder shown. Single acting cylinder can be used.
- † Valve used with 34AR or 341AR operator must be TAC Series 4-way model: 4PP, 41PP, or 42PP.
- \*\* Valve used can be any 3-way or from one side of any 4-way.

Ball Point Pen Circuit

<b>2-, 3-WAY VALVES</b>		<b>Ports</b>	<b>CFM*</b>	<b>Valves</b>	<b>Page</b>
TAC		10-32	6	2P, 3P, 2V, 3V, 2VR, 3VR	24
TAC2		1/8	18	31P, 31PPX, 31V, 31VR	26
<b>4-WAY VALVES</b>		<b>Ports</b>	<b>CFM*</b>	<b>Valves</b>	<b>Page</b>
TAC		10-32	9	4P, 4PP, 4PPX, 4V, 4VR	25
TAC2		1/8	18	41P, 41PP, 41PPX, 41V, 41VR	27
TAC3		1/4	31	42P, 42PP, 42PA, 42A, 42A2	28
TAC three-position		1/8	6	41R-D(S)3, 41T-D(S)3	29

\*Nominal flow @100 PSI

<b>Air Operators</b>		<b>Part No.</b>	<b>Page</b>
A	Air-Pilot	34A, 341A	30
AR	Air-Pilot with Reset	34AR, 341AR	30
AS	Air-Pilot with Time Delay	34AS, 341AS	30
ASR	Air-Pilot with Reset and Snap	34ASR, 341ASR	30

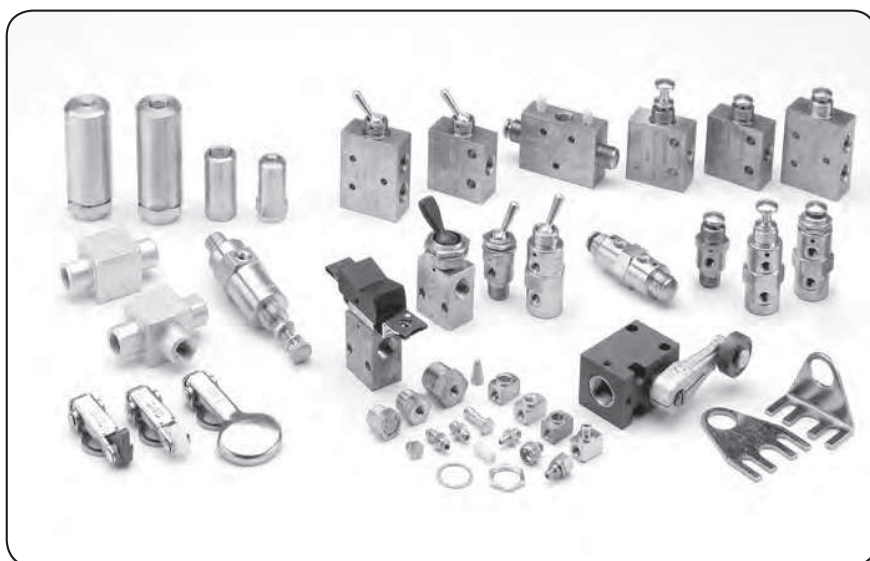
<b>Operators</b>		<b>Part No.</b>	<b>Page</b>
	Ball Mechanical	34B	31
	Cam Mechanical	34C	31
	Heavy Duty Cam Mechanical	34CH	31
	One Way Trip Cam Mechanical	34CW	31
	Foot (Knee) Manual	34F	31
	Finger Tip Manual	34T	31

<b>Auxiliary Equipment</b>		<b>Page</b>
C1	10-32 UNF Check Valve	33
C125	1/8 PIPE Check Valve	33
RSR	Air Pressure Regulator	33
S125	1/8 PIPE Shuttle Valve	33
SC1	10-32 UNF Speed Control	33
SQE	10-32 UNF Shuttle/Quick Exhaust Valve	33

<b>Fittings</b>	<b>Description</b>	<b>Page</b>
150-30A	Exhaust Muffler	32
150-31A	Exhaust Muffler	32
BF	Straight Fitting	32
BF1	Straight Fitting	32
PBF1	Straight Fitting	32
SF	Swivel Fitting	32
UEF	Elbow Fitting	32
URTF	Running Tee Fitting	32
UTF	Tee Fitting	32

**HUMPHREY "TOTAL AIR CONTROL" LINE UP:**

- **Air Valves:** Manual/Mechanical 2-, 3- or 4-way, spring return or detent. 3 sizes.
- **Air Operators:** Standard, Air Reset, Air Snap, Air Reset/Snap.
- **Manual Operators:** Finger Tip, Foot/Knee/Hand.
- **Mechanical Operators:** Ball, Cam, Cam-One Way Trip, Cam-Heavy Duty.
- **Auxiliary Items:** Air Regulator; Flow Control, Check, Shuttle and Quick Exhaust Valves.
- **Barbed Fittings:** Straight, Elbow, Tee, Reducer, Bulkhead, Plug, Extension, Swivel.



TAC VALVES

## TAC Series 2- and 3-Way Valves

2P, 3P, 2V, 3V, 2VR, 3VR

The Humphrey TAC Series, miniature 10-32 ported, 2- and 3-way, manual or mechanical air valves are attractive, compact and rugged. Available as spring return or detent functionality, TAC valves provide excellent flow relative to their size, and are ideal for pneumatic sequencing circuits, panel mount pilot signaling, or control of small cylinders.

### Models/Descriptions:

**2P:** 2-way, Pushbutton, Spring Return

**3P:** 3-way, Pushbutton, Spring Return

**2V:** 2-way, Toggle, Detented

**3V:** 3-way, Toggle, Detented

**2VR:** 2-way, Toggle, Spring Return

**3VR:** 3-way, Toggle, Spring Return

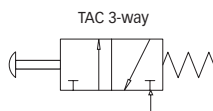
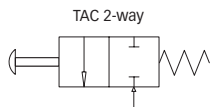
Pushbutton valves feature a hardened, SST button that bottoms out on valve collar, preventing over stroke and internal valve damage. Button design permits addition of various manual, mechanical or air operators (see pages 30, 31).

### All Valves Feature:

- Emulates similar styled electric buttons and toggles, the operators and 15/32-32 threaded collar, to enhance machine appearance.
- Hex feature on valve body assists with mounting.
- Panel mounting nuts and lockwasher standard with each valve.

FOR ADDITIONAL INFORMATION AND SPECIFICATIONS, VISIT [WWW.HUMPHREY-PRODUCTS.COM](http://WWW.HUMPHREY-PRODUCTS.COM) TO ACCESS:

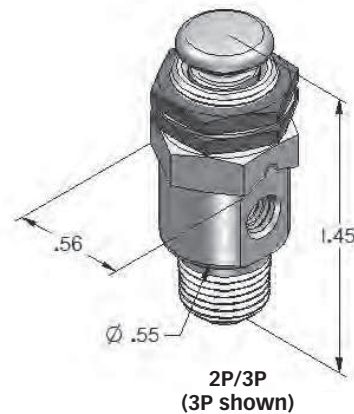
- Non-Catalog Options & Product Configuration Utility
- CAD Viewer & Model Downloads
- Additional Specifications & Data Sheets
- General Information & Handling Instructions



2P/3P



2V/3V  
2VR/3VR



2P/3P  
(3P shown)

### HOW TO ORDER

To order TAC Series 2 & 3-way valves, specify:

**2P**  
**3P**  
**2V**  
**3V**  
**2VR**  
**3VR**

### SPECIFICATIONS

Design Principle: Pressure Unbalanced, Air Return, Spring Assist

Porting Type: 2- or 3-Way

Port Size: 10-32 UNF

Media: Air, Inert Gases

Pressure Range: 0–125 PSI

Temperature Range: -20°F to 180°F

Flow @100 PSI: 6 CFM, 169 LPM (Cv=0.1)

## TAC Series 4-Way Valves

4P, 4PPX, 4PP, 4V, 4VR

The Humphrey TAC Series, miniature 10-32 ported, 4-way, manual or mechanical air valves are attractive, compact and rugged. Available as spring return or detent functionality, TAC 4-way valves provide excellent flow relative to their size, and are ideal for pneumatic sequencing circuits, panel mount pilot signaling, or control of small cylinders.

### Models/Descriptions:

**4P:** 4-way, Pushbutton, Spring Return

**4PP:** 4-way, Dual Pushbutton, Detented

**4V:** 4-way, Toggle, Detented

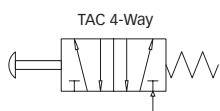
**4VR:** 4-way, Toggle, Spring Return

**4PPX:** 4-way, Push/Pull Button, Detented

Pushbutton valves feature a hardened, SST button that bottoms out on valve collar, preventing over stroke and internal valve damage. Button design permits addition of various manual, mechanical or air operators (see pages 30, 31).

### All Valves Feature:

- Emulating similar styled electric buttons and toggles, the operators and 15/32-32 threaded collar enhance appearance.
- Plug normally closed delivery port for 3-port normally open function.
- Panel mounting nuts and lockwasher standard with each valve.



FOR ADDITIONAL INFORMATION AND SPECIFICATIONS, VISIT [WWW.HUMPHREY-PRODUCTS.COM](http://WWW.HUMPHREY-PRODUCTS.COM) TO ACCESS:

- Non-Catalog Options & Product Configuration Utility
- CAD Viewer & Model Downloads
- Additional Specifications & Data Sheets
- General Information & Handling Instructions



4PP



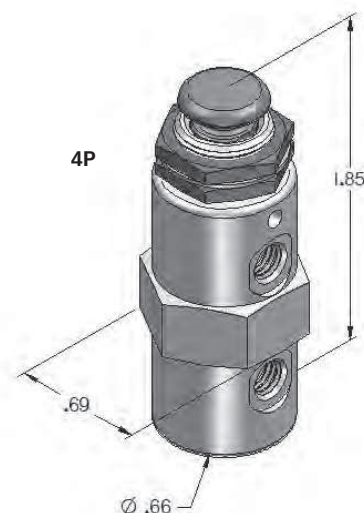
4P



4V  
4VR



4PPX



### HOW TO ORDER

To order TAC Series 4-way valves, specify: **4P**  
**4PPX**  
**4PP**  
**4V**  
**4VR**

### SPECIFICATIONS

Design Principle:	Pressure Balanced, Spring Return	Pressure Range:	0-125 PSI
Porting Type:	4-Way	Temperature Range:	-20°F to 180°F
Port Size:	10-32 UNF	Flow @100 PSI:	9 CFM, 254 LPM (Cv=0.2)
Media:	Air, Inert Gases		

## TAC2 Series 2- and 3-Way Valves

31P, 31PPX, 31V, 31VR

Humphrey TAC2, 1/8 PIPE port, 3-way, manual or mechanical air valves are attractive, compact and rugged. Available as spring return or detent functionality, TAC2 3-way valves provide excellent flow, and are ideal for pneumatic sequencing circuits, panel mount pilot signaling, or control of small cylinders. 31P is multi-purpose. Use as 2- or 3-way, normally closed or open, diverter, selector.

### Models/Descriptions:

**31P: Spring Return, Pushbutton**

**31PPX: Detent, Push/Pull**

**31V: Detent, Toggle**

**31VR: Spring Return, Toggle**

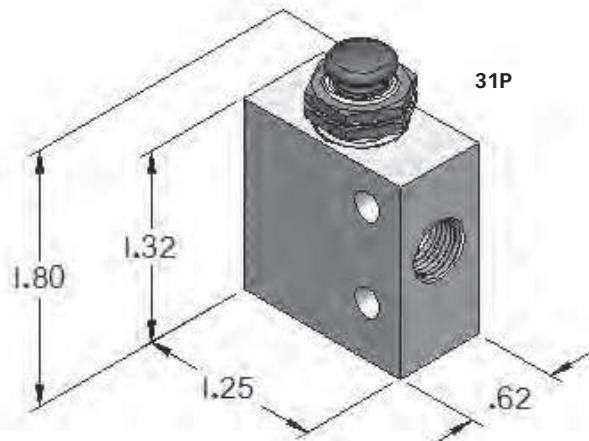
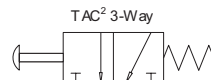
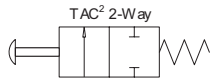
Pushbutton valves feature a hardened, SST button that bottoms out on valve collar, preventing over stroke and internal valve damage. Button design permits addition of various manual, mechanical or air operators (see pages 30, 31).

### All Valves Feature:

- Emulating similar styled electric buttons and toggles, the operators and 15/32-32 threaded collar, enhances machine appearance.
- Panel mounting nuts and lockwasher standard with each valve.

FOR ADDITIONAL INFORMATION AND SPECIFICATIONS, VISIT [WWW.HUMPHREY-PRODUCTS.COM](http://WWW.HUMPHREY-PRODUCTS.COM) TO ACCESS:

- Non-Catalog Options & Product Configuration Utility
- CAD Viewer & Model Downloads
- Additional Specifications & Data Sheets
- General Information & Handling Instructions



### HOW TO ORDER

To order TAC2 Series 2 & 3-way valves, specify: **31P**

**31PPX**

**31V**

**31VR**

### SPECIFICATIONS

Design Principle:	Pressure Balanced, Air Return, Spring Assist	Pressure Range:	0–125 PSI
Porting Type:	2- or 3-Way	Temperature Range:	-20°F to 180°F
Port Size:	1/8 PIPE	Flow @100 PSI:	18 CFM, 509 LPM (Cv=0.3)
Media:	Air, Inert Gases		



## TAC2 Series 4-Way Valves

41P, 41VR, 41PP, 41V, 41PPX

Humphrey TAC2, 1/8 PIPE port, 4-way, manual or mechanical air valves are attractive, compact and rugged. Available as spring return or detent functionality, TAC2 4-way valves provide excellent flow, and are ideal for pneumatic sequencing circuits, panel mount pilot signaling, or control of small cylinders. Two, exhaust port metering screws are standard on all models.

### Models/Descriptions:

**41P: Spring Return, Pushbutton**

**41PPX: Detent, Push/Pull**

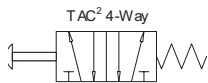
**41V: Detent, Toggle**

**41VR: Spring Return, Toggle**

Pushbutton valves feature a hardened, SST button that bottoms out on valve collar, preventing over stroke and internal valve damage. Button design permits addition of various manual, mechanical or air operators (see pages 30, 31).

### All Valves Feature:

- Emulating similar styled electric buttons and toggles, the operators and 15/32-32 threaded collar, enhances machine appearance.
- Standard panel mount button design permits addition of various manual.
- Panel mounting nuts and lockwasher standard with each valve.



FOR ADDITIONAL INFORMATION AND SPECIFICATIONS, VISIT [WWW.HUMPHREY-PRODUCTS.COM](http://WWW.HUMPHREY-PRODUCTS.COM) TO ACCESS:

- Non-Catalog Options & Product Configuration Utility
- CAD Viewer & Model Downloads
- Additional Specifications & Data Sheets
- General Information & Handling Instructions



41P



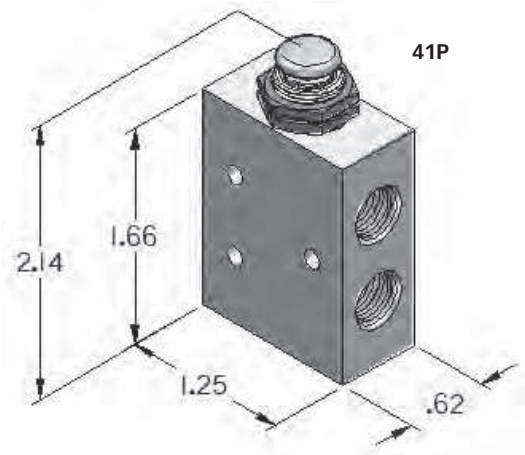
41PPX



41PP



41V  
41VR



### HOW TO ORDER

To order TAC2 Series 4-way valves, specify: **41P**  
**41PPX**  
**41PPX**  
**41V**  
**41VR**

### SPECIFICATIONS

Design Principle:	Pressure Balanced, Air Return, Spring Assist	Pressure Range:	0-125 PSI
Porting Type:	4-Way	Temperature Range:	-20°F to 180°F
Port Size:	1/8 PIPE	Flow @100 PSI:	18 CFM, 509 LPM (Cv=0.3)
Media:	Air, Inert Gases		

## TAC3 Series 4-Way Valves

42A, 42A2, 42P, 42PP, 42PA

**Humphrey TAC3, 1/4 PIPE port, 4-way, manual (or mechanical) and air operated valves are attractive, compact and rugged. Available as air spring return or detent functionality, TAC3 valves provide excellent flow, and are ideal for cylinder control.**

### Order Codes/Available Types:

**42P: Spring Return, Pushbutton**

**42A: Spring Return, Air-Pilot**

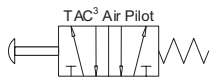
**42PP: Detent, Push/Push**

**42A2: Detent, Double Air-Pilot**

**42PA: Detent, Push/Air-Pilot**

### Features

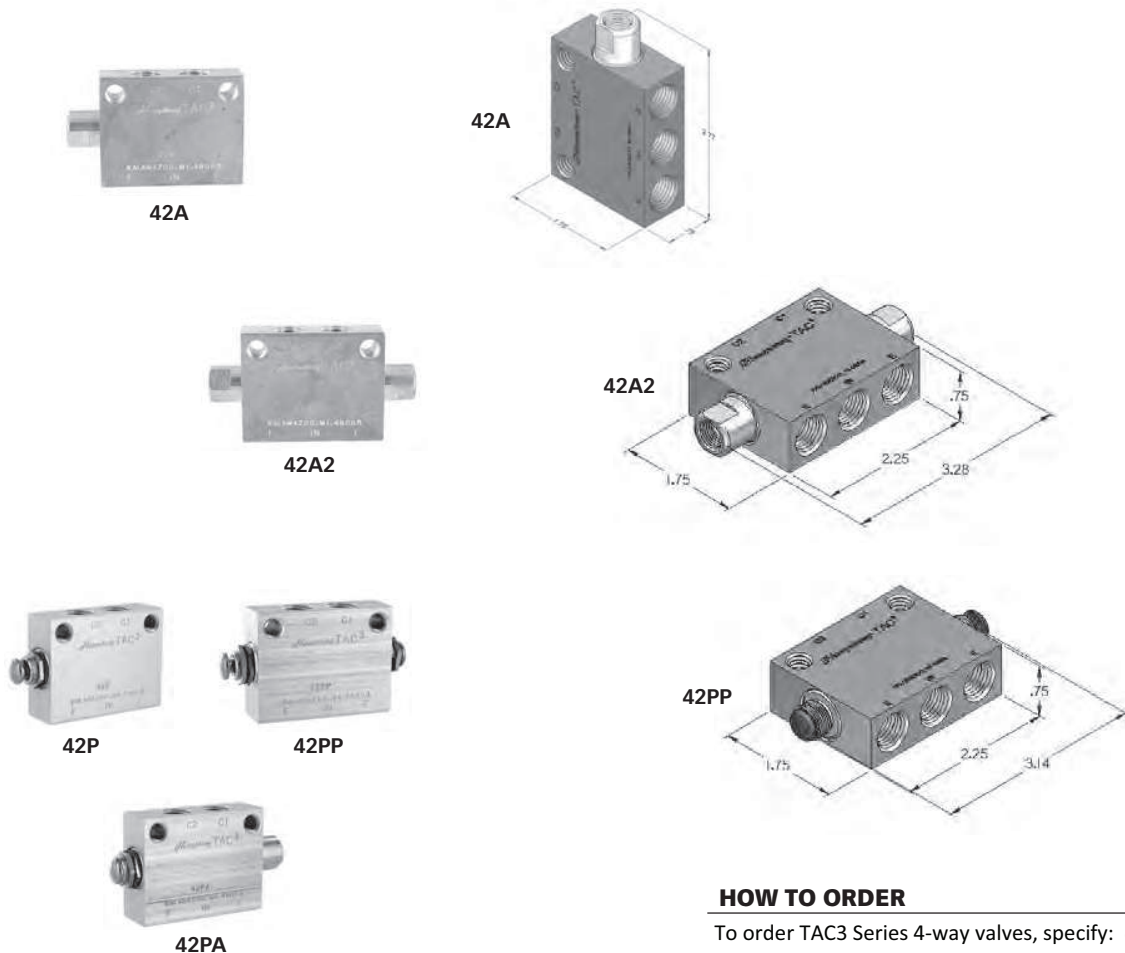
- Hardened, stainless steel button bottoms out on valve collar, preventing overstroke and internal valve damage.
- Emulating similar styled electric buttons and toggles, the operators and 15/32-32 threaded collar, enhances machine appearance.
- Standard panel mount button design (P models) permits addition of various manual, mechanical or air operators. Consult factory.
- Panel mounting nuts and lockwasher standard with pushbutton valves.



FOR ADDITIONAL INFORMATION AND SPECIFICATIONS, VISIT [WWW.HUMPHREY-PRODUCTS.COM](http://WWW.HUMPHREY-PRODUCTS.COM) TO ACCESS:

- Non-Catalog Options & Product Configuration Utility
- CAD Viewer & Model Downloads
- Additional Specifications & Data Sheets
- General Information & Handling Instructions

TAC VALVES



### HOW TO ORDER

To order TAC3 Series 4-way valves, specify: **42A**  
**42A2**  
**42P**  
**42PP**  
**42PA**

### SPECIFICATIONS

Design Principle:	Pressure Balanced, Air Return, Spring Assist	Pressure Range:	0-125 PSI
Porting Type:	4-Way	Temperature Range:	-20°F to 180°F
Port Size:	1/4 PIPE	Flow @100 PSI:	31 CFM, 877 LPM (Cv=0.5)
Media:	Air, Inert Gases		

## TAC Series 3-Position, 4-Way Valves

41R-S3, 41R-D3, 41R-DS3, 41T-S3, 41T-D3, 41T-DS3

**TAC2 Series, three position, 4-way, valves are space saving in industrial or instrumentation applications. Available as detented, spring return or a combination function, these toggle or rocker actuated valves can pilot larger pneumatic or hydraulic valves, or directly operate small bore cylinders and actuators.**

### Order Codes/Available Types:

**41R-D3: Rocker, Detented**

**41R-S3: Rocker, Spring Centered**

**41R-DS3: Rocker, Detent/Spring combo**

**41T-D3: Toggle, Detented**

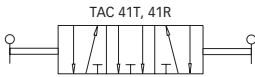
**41T-S3: Toggle, Spring Center**

**41T-DS3: Toggle, Detent/Spring combo**

**Open (Exhaust) Center position only. Ideal for control panel or dashboard mount applications.**

### Features

- Two TAC 3-way valves in common body.
- Extremely small size, light weight.
- Variety of six models to choose from.
- Use single valve as two "dependent" 3-way functions.
- Independent exhaust ports (not threaded).
- Panel mounting nuts and lockwasher standard with each toggle valve.



**FOR ADDITIONAL INFORMATION AND SPECIFICATIONS, VISIT [WWW.HUMPHREY-PRODUCTS.COM](http://WWW.HUMPHREY-PRODUCTS.COM) TO ACCESS:**

- Non-Catalog Options & Product Configuration Utility
- CAD Viewer & Model Downloads
- Additional Specifications & Data Sheets
- General Information & Handling Instructions



41T



41R

Model	Description	Dimensions (inch)			Action at Position		
		H	W	D	Left	Center	Right
41T-D3, 41R-D3	3-position, exhaust center, 4-way, manual valve	2.38 (T) 1.91 (R)	0.88	0.63	Detent	Detent	Detent
41T-S3, 41R-S3					Spring Return		Spring Return
41T-DS3, 41R-DS3					Detent		Spring Return

### HOW TO ORDER

To order TAC Series 3 position, 4-way valves, specify: **41R-S3**  
**41R-D3**  
**41R-DS3**  
**41T-S3**  
**41T-D3**  
**41T-DS3**

### SPECIFICATIONS

Design Principle:	Pressure Balanced, Air Return, Spring Assist	Pressure Range:	0–125 PSI
Porting Type:	4-Way	Temperature Range:	-20°F to 180°F
Port Size:	1/8 PIPE	Flow @100 PSI:	6 CFM, 169 LPM (Cv=0.1)
Media:	Air, Inert Gases		



## Air Operators

34A, 341A, 34AS, 341AS, 34AR, 341AR, 34ASR, 341ASR

A variety of TAC Operators compliment TAC, TAC2 and TAC3 pushbutton air valves, easily mounting and thereby converting them to manual, cam, air-pilot and specialty air-pilot valves.

TAC Air Operator order code and function:

- 34A: 10-32 Air Operator
- 341A: 1/8 PIPE Air Operator
- 34AR: 10-32 Air Reset
- 341AR: 1/8 PIPE Air Reset
- 34AS: 10-32 Air Snap
- 341AS: 1/8 PIPE Air Snap
- 34ASR: 10-32 Air Snap & Reset
- 341ASR: 1/8 PIPE Air Snap & Reset

TAC Air Operators convert pushbutton valves to air-pilot and specialty air-pilot valves. They easily mate to the pushbutton valve collar in a "building block" approach to miniature pneumatic logic automation.

Line up is highlighted by unique, specialty air operators:

- **AR: Air Reset.** Operator resets against pilot signal automatically within 1 sec, whether signal is left "on" or not.
- **AS: Air Snap.** Operator shifts only when pilot signal's minimum pressure is achieved. Permits "time delay" with slow build of pressure.
- **ASR: Combines AR and AS functions.**

FOR ADDITIONAL INFORMATION AND SPECIFICATIONS, VISIT [WWW.HUMPHREY-PRODUCTS.COM](http://WWW.HUMPHREY-PRODUCTS.COM) TO ACCESS:

- Non-Catalog Options & Product Configuration Utility
- CAD Viewer & Model Downloads
- Additional Specifications & Data Sheets
- General Information & Handling Instructions

34AR  
34AS  
34ASR



34A  
341A



341AR  
341AS  
341ASR



### HOW TO ORDER

To order TAC Series air pilot operators, specify:

- 34A
- 34AR
- 34AS
- 34ASR
- 341A
- 341AR
- 341AS
- 341ASR

Operator Type	Model	Pilot Port	Hex	H	Dia	Function
Air-Pilot	34A	10-32 UNF	9/16"	1.25"	0.56"	Thread onto any push button valve and convert manual valve to air-pilot valve.
	341A	1/8 PIPE		1.38"	0.63"	
Air-Pilot with Snap Action	34AS	10-32 UNF	13/16"	2.34"	0.86"	Actuation of valve is delayed until pilot pressure reaches 35 +/-5 PSI, then snaps forward to activate valve.
	341AS	1/8 PIPE		2.44"		
Air-Pilot with Reset	34AR	10-32 UNF		2.34"		Sharply applied pilot signal of 40 PSI (min) shifts valve, then operator resets though the pilot pressure remains "ON."
	341AR	1/8 PIPE		2.44"		
Air-Pilot with Snap Action and Reset	34ASR	10-32 UNF		2.34"		Combines the functions of the "Air-Pilot with Snap Action" and the "Air-Pilot with Reset" in one operator.
	341ASR	1/8 PIPE		2.44"		

A variety of TAC Operators compliment TAC, TAC2 and TAC3 pushbutton air valves, easily mounting and thereby converting them to manual, cam, air-pilot and specialty air-pilot valves.

TAC Operators convert pushbutton valves to other manual or mechanical valves. They easily mate to the pushbutton valve collar in a "building block" approach to miniature pneumatic logic automation. Valve locknuts and lockwashers secure operators to valve body.

**Order Code and Manual/Mechanical Function:**

- 34B:** Roller Ball Operator
- 34C:** Cam Operator
- 34CW:** One-Way Trip Cam Operator
- 34CH:** Heavy Duty Cam Operator
- 34F:** Foot or Knee Operator
- 34T:** Finger Tip Operator

FOR ADDITIONAL INFORMATION AND SPECIFICATIONS, VISIT [WWW.HUMPHREY-PRODUCTS.COM](http://WWW.HUMPHREY-PRODUCTS.COM) TO ACCESS:

- Non-Catalog Options & Product Configuration Utility
- CAD Viewer & Model Downloads
- Additional Specifications & Data Sheets
- General Information & Handling Instructions



**34C  
Cam  
Operator**



**34B  
Ball  
Operator**



**34T  
Finger Tip  
Operator**



**34CW  
Cam Operator with  
One-Way Actuation**



**34F  
Foot, Knee or  
Hand Operator**



**34CH  
Heavy Duty  
Cam Operator**

**HOW TO ORDER**

To order TAC Series manual/mechanical operators, specify: **34B**  
**34C**  
**34CR**  
**34CH**  
**34F**  
**34T**

## TAC Fittings

BF, BF1, PBF1, SF, UEF, UTF, URTF, 150-30A, 150-31A

*TAC Fittings compliment Valves and TAC Operators in pneumatic logic design and assembly. Miniature and rugged, the line up has excellent variety and used commonly by instrument and device makers.*

*Available in 10-32 or 1/8 NPT sizes.*

*Humphrey TAC fittings are sold in bags of 10 pieces only.*

*Breather mufflers are sintered bronze type.*

**Breather Mufflers:**

**150-30A: 10-32 UNF**

**150-31A: 1/8 NPT**

**Fitting Codes (Bag of 10) and Descriptions:**

**BF: Barb fitting. 10-32 - 1/8" ID tubing**

**BF1: Barb fitting. 10-32 - 1/4" ID tubing**

**PBF1: Barb fitting. 1/8 PIPE - 1/4" ID tubing**

**SF: Swivel fitting. 10-32**

**UEF: Universal elbow fitting. 10-32**

**UTF: Universal tee fitting. 10-32**

**URTF: Universal running tee fitting. 10-32**

**ORDER EXAMPLE: BF - Bag of 10**

**FOR ADDITIONAL INFORMATION AND SPECIFICATIONS, VISIT [WWW.HUMPHREY-PRODUCTS.COM](http://WWW.HUMPHREY-PRODUCTS.COM) TO ACCESS:**

- Non-Catalog Options & Product Configuration Utility
- Additional Specifications & Data Sheets
- CAD Viewer & Model Downloads
- General Information & Handling Instructions

**TAC Miniature Fittings**



### BARBED FITTING CHART

Model	Description
BF	10-32 UNF by 1/8 OD tube, straight fitting.
BF1	10-32 UNF by 1/4 OD tube, straight fitting.
PBF1	1/8 PIPE by 1/4 OD tube, straight fitting.
SF	10-32 UNF male to 10-32 UNF female, swivel fitting.
UEF	10-32 UNF male to 10-32 UNF female, universal elbow fitting.
UTF	10-32 UNF male to 10-32 UNF female, universal tee fitting.
URTF	10-32 UNF male to 10-32 UNF female, universal running tee fitting.
150-30A	10-32 UNF sintered bronze muffler.
150-31A	1/8 PIPE sintered bronze muffler.

### HOW TO ORDER

To order TAC Series fittings, specify: **BF-Bag of 10**  
**BF1-Bag of 10**  
**PBF1-Bag of 10**  
**SF-Bag of 10**  
**UEF-Bag of 10**  
**UTF-Bag of 10**  
**URTF-Bag of 10**  
**150-30A-Bag of 10**  
**150-31A-Bag of 10**

**TAC auxiliary components compliment TAC Valves and Operators in pneumatic logic design and solutions. Miniature and rugged, the line up is also used commonly by instrument and device makers as stand alone items. Available in 10-32 ported or 1/8 PIPE port sizes.**

**Order Codes and Descriptions:**

**C1: Check valve. 10-32 port**

**SQE: Shuttle or quick exhaust. 10-32 port**

**C125: Check valve. 1/8 PIPE**

**S125: Shuttle valve. 1/8 PIPE**

**RSR: Pressure regulator. 10-32 port**

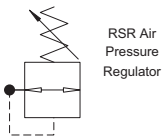
**SC1: Flow controller. 10-32 port**

**Features**

- Miniaturization. Small and compact.
- RSR self relieving regulator is designed for panel mounting, and achieves 22 CFM at 100 PSI output pressure.
- SC1 flow control allows full flow on one direction and controlled return flow. Is unaffected by vibration, maintaining an accurate setting.
- Two sizes of check and shuttle valves.
- Model SQE can be used as shuttle or quick exhaust.

FOR ADDITIONAL INFORMATION AND SPECIFICATIONS, VISIT [WWW.HUMPHREY-PRODUCTS.COM](http://WWW.HUMPHREY-PRODUCTS.COM) TO ACCESS:

- Non-Catalog Options & Product Configuration Utility
- CAD Viewer & Model Downloads
- Additional Specifications & Data Sheets
- General Information & Handling Instructions



RSR Air Pressure Regulator



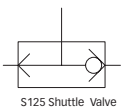
RSR Air Pressure Regulator



C125 Check Valve



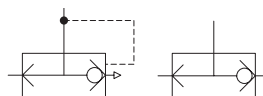
C1 Check Valve



S125 Shuttle Valve



S125 Shuttle Valve



SQE Shuttle and Quick Exhaust Valve

Flow Control



SC1 Speed Control

**HOW TO ORDER**

To order TAC Series auxiliary components, specify: **C1**

**C125**

**SQE**

**S125**

**SC1**

**RSR**