

迷你型流量比例閥 Miniature Proportional Valve

KLPV-HP



閥門類型 Valve Type : 二口二位常閉式 2-Way Normally Closed
 接線方式 Electrical Connection : 出線型 Flying Wire Leads
 耗電量 Power Consumption : 5 watts 或 14 watts (max)
 控制電壓範圍 Voltage Range : 24 VDC
 工作壓力 Working Pressure : 0~20 bar
 孔徑大小 Orifice Size(mm) : 1, 1.5, 2, 3 and 3.5
 口徑 Prot Types : G1/4"
 密封圈 Seal Material : Viton
 接觸介質材料 Wetted Materials : 銅鍍化學鍍, 黃銅或不鏽鋼304
 Cold rolled stainless steel w/ electroless nickel plating, brass and 304 stainless steel
 溫度範圍 Temperature Range : -320 to 120°F (-196 to 50°C)
 最大遲滯現象 Maximum Hysteresis : 10-15% of full current (隨最大流量變化 (varies with max flow))
 流量 Flow : 0~300 LPM of Air
 洩漏率 Leak Rate : 採用氣密性油封 Bubble Tight Seal
 重量 Weight : 300g
 前端過濾 Filtration : 建議 40 Micron

我們提供了高流量小型尺寸比例閥。這款非閥芯的設計採用了一個移動件來確保無摩擦的性能和壽命高達 1,000 萬次的循環。這種設計確保了簡易的維修和清理。我們的閥體可耐高溫和低溫，在不同的環境下可展現相同的性能。適用於空氣、氫氣、氧氣。安裝方式提供了線上和排座的選項。

We offer high flow small size proportional valves. This non-spool design uses a moving part to ensure frictionless performance and a lifespan of up to 10 million cycles. This design ensures easy maintenance and cleaning. Our valve bodies are resistant to high and low temperatures, showing the same performance in different environments, suitable for air, hydrogen, oxygen. Mounting options provide in-line and manifold options.

訂購型號 Ordering Code

KLPV — HP — P — 24 — —

耗電量

Power Consumption

5	5W
14	14W

代號 Code	孔徑 Orifice	耐壓(bar) Max. Inlet Pressure		最大流量 Max. Flow(L/min)	
		5W	14W	5W	14W
10	1 mm	43	35	16 @3bar	30 @3bar
15	1.5 mm	22	25	33 @3bar	70 @3bar
20	2 mm	10	15	54 @3bar	125 @3bar
25	2.5 mm	6	-	95 @3bar	-
30	3 mm	2	9.5	105 @2bar	230 @3bar
35	3.5 mm	1	4	78 @1bar	310 @3bar



Kao Lu Enterprises Co., Ltd. TEL:886-4-24874219 · 24860626
Genn Dih Enterprises Co., Ltd. FAX:886-4-24864269 · 24862824
Web:www.genndih.com E-mail:genndih@ms43.hinet.net
 No. 17, Lane 822, Sec. 2, Zhongxing Rd., Dail Dist., Taichung City 41244, Taiwan(R.O.C)

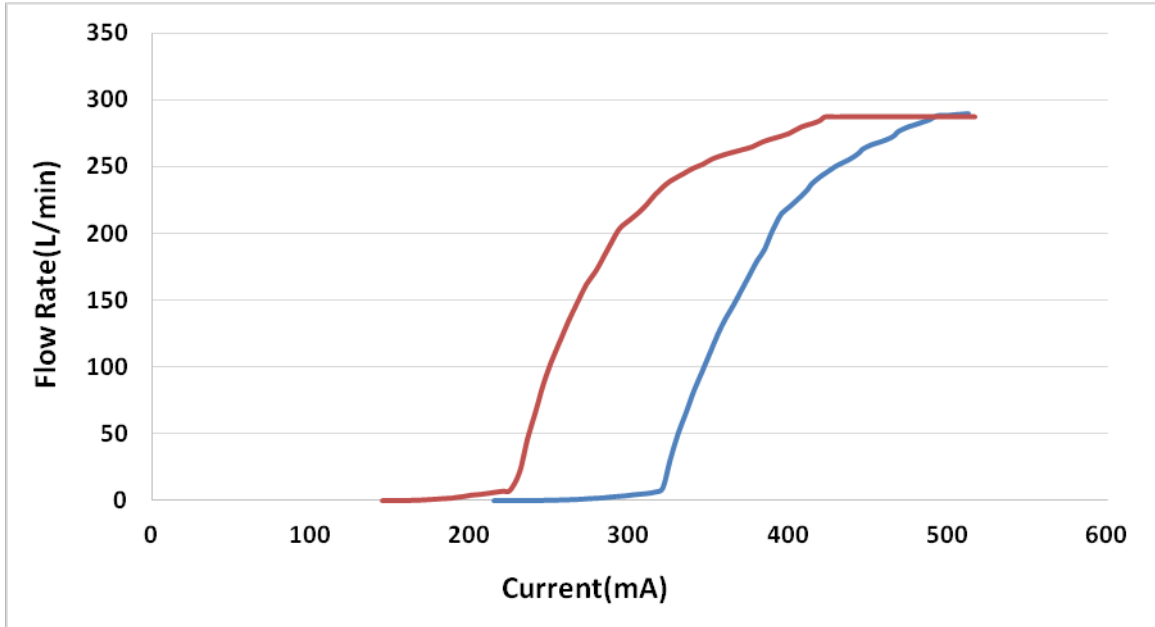
迷你型流量比例閥 Miniature Proportional Valve

KLPV-HP

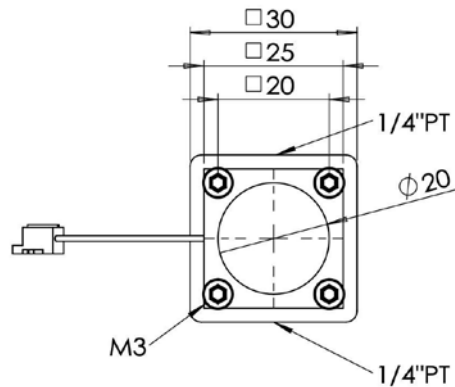
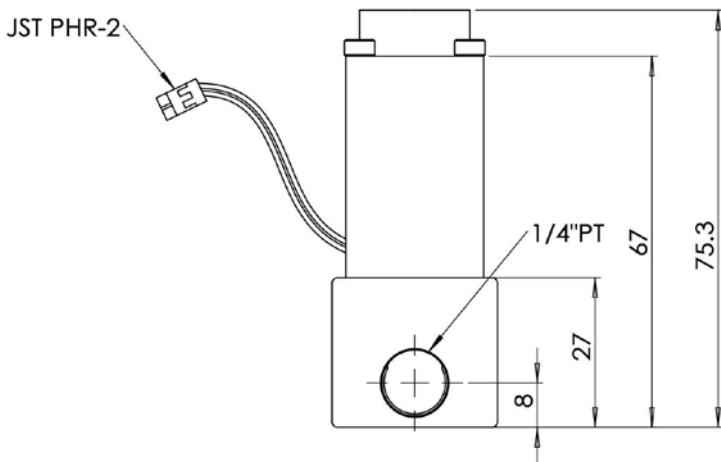


標準流量特性曲線 Typical Performance Characteristics

14W(入氣 inlet@3bar, 孔徑 orifice: 3mm, 管內徑 tube I.D.:



外觀尺寸 Dimensions (mm)



Kao Lu Enterprises Co., Ltd. TEL:886-4-24874219 · 24860626
Genn Dih Enterprises Co., Ltd. FAX:886-4-24864269 · 24862824
Web:www.genndih.com E-mail:genndih@ms43.hinet.net
No. 17, Lane 822, Sec. 2, Zhongxing Rd., Dail Dist., Taichung City 41244, Taiwan(R.O.C)



Kao Lu Enterprises Co., Ltd. TEL:886-4-24874219 · 24860626
Genn Dih Enterprises Co., Ltd. FAX:886-4-24864269 · 24862824
Web:www.genndih.com E-mail:genndih@ms43.hinet.net
No. 17, Lane 822, Sec. 2, Zhongxing Rd., Dail Dist., Taichung City 41244, Taiwan(R.O.C)