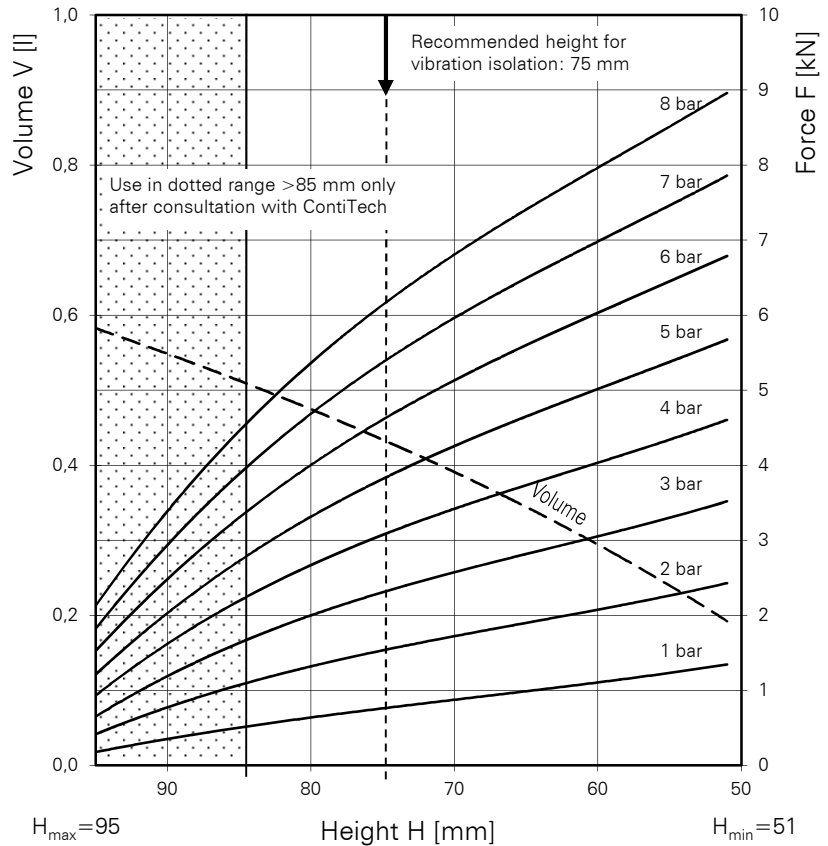
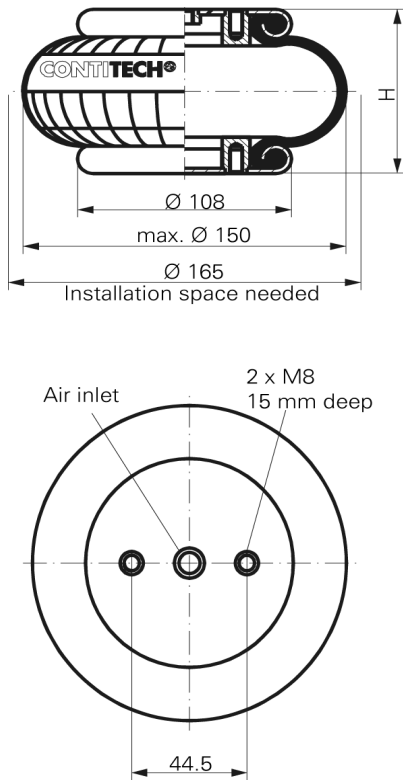


# FS 50-5 CI

# Single Convolution Air Spring


**Purchase order data**

Type	Order No.
Rubber bellows only	62242
With clamped plates G 1/4 air inlet	61388
With stainless steel clamped plates G 1/4 air inlet	61745

Additional types on request

**Technical data**

Min. pressure	0 bar
Return force to min. height	≤ 250 N
Overall weight with clamped plates	1.2 kg

**Vibration isolation - dynamic characteristic values**

Design height H: recommended 75mm, minimum 65mm

Pressure p [bar]	3	4	5	6	7	8	Vol. V[l]
Force (Load) [kN]	2.3	3.0	3.8	4.6	5.3	6.1	
Spring rate [N/cm]	1510	1910	2290	2670	3040	3340	
Natural frequency [Hz]	3.9	3.8	3.7	3.7	3.6	3.6	

**Pneumatic application - static characteristic values**

Force F [kN]

Pressure p [bar]	3	4	5	6	7	8	Vol.[l]	
Height H [mm]	80	2.0	2.7	3.3	4.0	4.7		5.4
	70	2.6	3.4	4.3	5.1	6.0		6.8
	60	3.1	4.0	5.0	6.0	7.0		8.0



Service instructions  
M8 = 25 Nm  
G 1/4 = 25 Nm

Measuring procedure: Room temperature / Force- height- data quasistatic / Dynamic data at 1 Hz