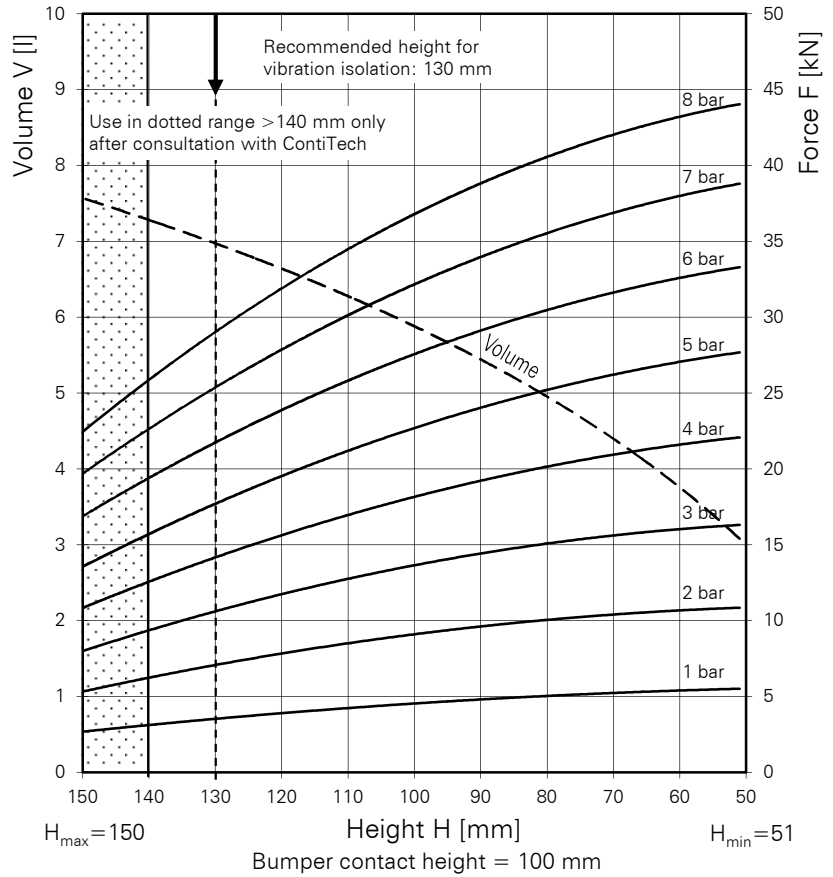
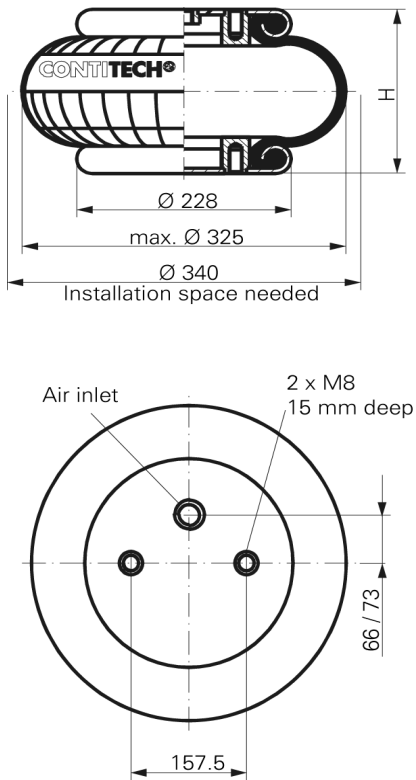


FS 330-11 CI

Single Convolution Air Spring



Purchase order data

Type	Order No.
Rubber bellows only	60314
With clamped plates G 1 air inlet 66 mm excentrical	2681 060 000
With clamped plates G 1/4 air inlet 73 mm excentrical	60424
With clamped plates G 3/4 air inlet 73 mm excentrical	62743
With stainless steel plates, G 3/4 air inlet 73 mm excentrical	on request

Additional types on request



- Service instructions
- M8 = 25 Nm
 - G 1/4 = 25 Nm
 - G 3/4 = 50 Nm
 - G 1 = 50 Nm

Technical data

Min. pressure	0 bar
Return force to min. height	≤ 300 N
Overall weight with clamped plates	4.1 kg

Vibration isolation - dynamic characteristic values

Design height H: recommended 130mm, minimum 100mm

Pressure p [bar]	3	4	5	6	7	8	Vol. V [l]
Force (Load) [kN]	10.7	14.2	17.8	21.8	25.4	29.0	
Spring rate [N/cm]	2645	3290	3935	4580	5225	5870	
Natural frequency [Hz]	2.5	2.4	2.4	2.3	2.3	2.3	

Pneumatic application - static characteristic values

Force F [kN]

Pressure p [bar]	3	4	5	6	7	8	Vol.[l]	
Height H [mm]	140	9.5	12.7	15.8	19.5	22.8		7.4
	120	11.9	15.7	19.6	23.8	27.8		6.7
	100	13.6	18.1	22.7	27.6	32.1		5.8
	80	15.0	20.2	25.2	30.5	35.5		4.8
	60	16.0	21.6	27.1	32.6	38.0	3.8	

Measuring procedure: Room temperature / Force- height- data quasistatic / Dynamic data at 1 Hz