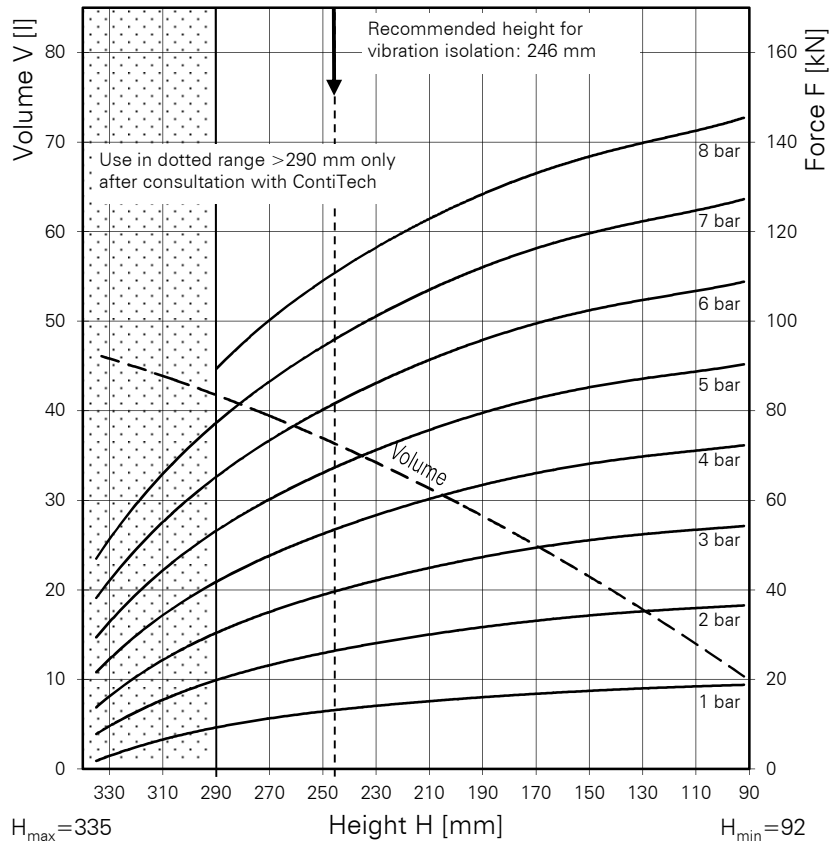
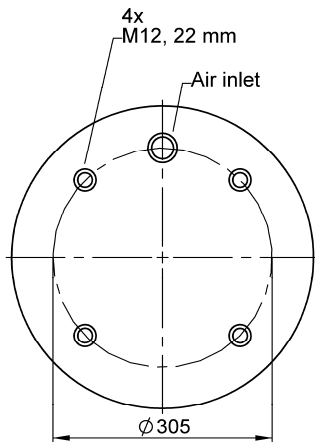
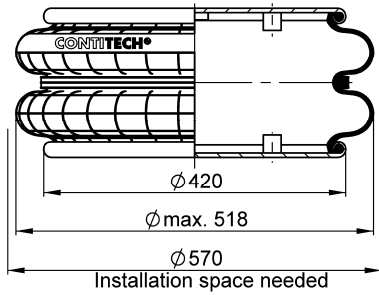


FD 1330-25 CI

Double Convolution Air Spring



Purchase order data

Type	Order No.
Rubber bellows only	61779
With clamped plates G 3/4 air inlet 152.5mm excentrical	69797

Additional types on request

Technical data

Min. pressure	0 bar
Return force to min. height	≤ 100 N
Overall weight with clamped plates	19.2 kg

Vibration isolation - dynamic characteristic values

Design height H: recommended 246mm, minimum 226mm

Pressure p [bar]	3	4	5	6	7	8	Vol V [l]	
Force (Load) [kN]	39.8	53.6	66.9	80.9	94.0	107.2		36.7
Spring rate [N/cm]	4220	5415	6530	7640	8675	9710		
Natural frequency [Hz]	1.6	1.6	1.6	1.5	1.5	1.5		

Pneumatic application - static characteristic values

Force F [kN]

Pressure p [bar]	3	4	5	6	7	8	Vol.[l]	
Height H [mm]	270	35.1	47.7	60.3	73.4	86.6		100.1
	240	40.7	54.9	69.0	83.6	98.1		113.0
	210	44.9	60.2	75.5	91.2	107.0		122.8
	180	48.4	64.8	81.3	97.7	114.1		130.7
	150	51.1	68.2	85.2	102.5	119.8		136.9
	120	53.0	70.5	88.0	105.7	123.5		141.1



Service instructions
M12 = 75 Nm
G 3/4 = 50 Nm

Measuring procedure: Room temperature / Force- height- data quasistatic / Dynamic data at 1 Hz