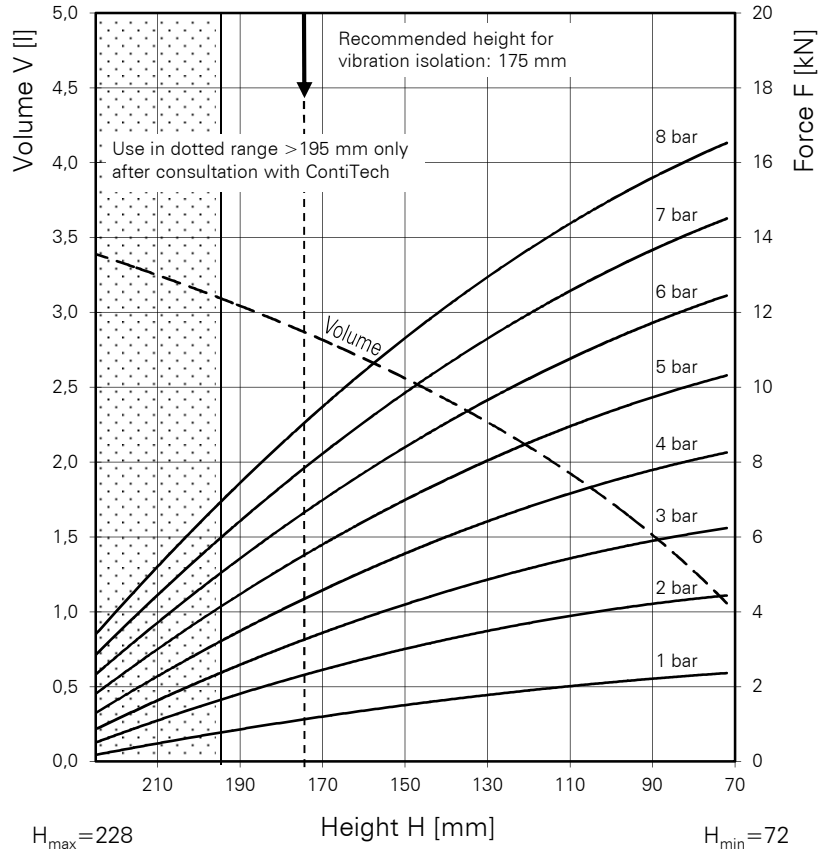
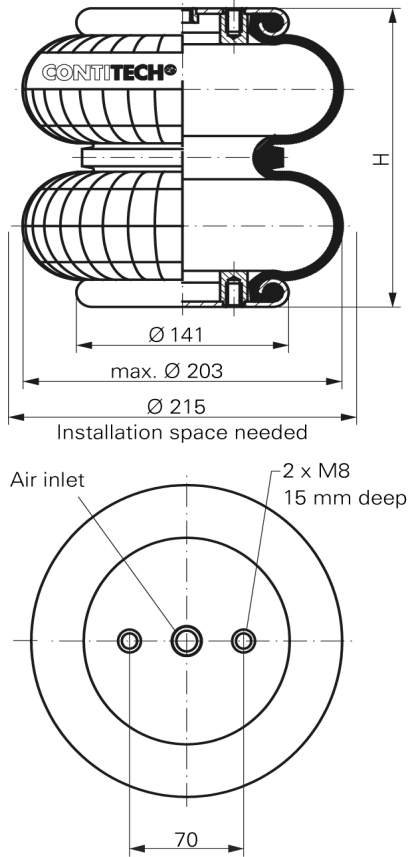


# FD 110-15 CI

# Double Convolution Air Spring



### Purchase order data

Type	Order No.
Rubber bellows only	61193
With clamped plates G 3/4 air inlet	61382
With clamped plates G 1/4 air inlet	61381

Additional types on request

### Technical data

Min. pressure	0 bar
Return force to min. height	$\leq 200$ N
Overall weight with clamped plates	2.1 kg

### Vibration isolation - dynamic characteristic values

Design height  $H$ : recommended 175mm, minimum 155mm

Pressure $p$	[bar]	3	4	5	6	7	8	Vol [l]
Force (Load)	[kN]	3.3	4.5	5.6	6.8	8.0	9.2	2.9
Spring rate	[N/cm]	675	890	1110	1300	1470	1675	
Natural frequency	[Hz]	2.3	2.2	2.2	2.2	2.1	2.1	

### Pneumatic application - static characteristic values

Force  $F$  [kN]

Pressure $p$	[bar]	3	4	5	6	7	8	Vol.[l]
Height $H$ [mm]	180	3.1	4.1	5.2	6.3	7.4	8.6	2.9
	160	3.9	5.1	6.5	7.8	9.1	10.5	2.7
	140	4.5	6.0	7.5	9.0	10.6	12.2	2.4
	120	5.0	6.7	8.4	10.1	11.8	13.6	2.1
	100	5.6	7.4	9.3	11.2	13.1	15.0	1.7
	80	6.1	8.1	10.1	12.2	14.2	16.2	1.3



Service instructions

M8 = 25 Nm

G 1/4 = 25 Nm

G 3/4 = 50 Nm

Measuring procedure: Room temperature / Force- height- data quasistatic / Dynamic data at 1 Hz