

ELSA Fittings PPSU (Push-in)

ELSA the Established push-in connector from AVS-Römer


PPSU version

Operating pressure Technical vacuum up to maximum pressure as stated in the respective specification table under OP.

Temperature range 0 °C to +140 °C (for restrictions see specification table)

Application

ELSA push-in connectors made from PPSU are used mainly in the food industries for liquids with temperatures up to 140 °C. (hot water, coffee, steam,...). These push-in connectors are equipped with FDA-compliant FKM sealing rings as standard, on request they are available with FDA-compliant and KTW-approved EPDM sealing rings. These high-tech plastic fittings are a low-cost alternative to stainless steel fittings in many areas of application.

CHARACTERISTICS
BODY MATERIAL / SUITABILITY

Plastic PPSU	<p>Polyphenylsulfone. Suitable for many aggressive media with temperatures up to 140 °C (hot water, steam). The FKM sealing ring is FDA-compliant and can be used in the food and pharmaceutical industries.</p> <p>Caution! PPSU should not be used in contact with aromatic hydrocarbons, oxidising acids, acetone, chlorinated hydrocarbons, ethers or ketones! Also, PPSU should not be placed directly in contact with anaerobic adhesives!</p>
--------------	--

Other materials	see relevant products
-----------------	-----------------------

Approval	NSF/ANSI 169
----------	--------------

TUBE

Outside diameter [mm]	4, 6 and 8
Permitted tolerance [mm]	±0.1
Permitted grades	Polyamide (PA), polyurethane (PU), fluorine polymer (FEP and PFA)

THREAD

External thread	"M" cylindrical thread: Metric ISO thread M5
External thread	"G" cylindrical thread: Whitworth pipe thread DIN ISO 228-1 G 1/8 up to G 3/8
Internal thread	"G" cylindrical thread: Whitworth pipe thread DIN ISO 228-1 G 1/8 up to G 1/4

OPERATING PRESSURE / TEMPERATURE

Plastic version	<table border="1"> <tr> <td>Max. Operating pressure OP at the stated ambient temp. and medium temp. according to table</td> <td>Means that the allowable operating pressure OP within the allowable ambient temperature also depends on the medium temperature in accordance with the specification table.</td> </tr> </table>	Max. Operating pressure OP at the stated ambient temp. and medium temp. according to table	Means that the allowable operating pressure OP within the allowable ambient temperature also depends on the medium temperature in accordance with the specification table.
Max. Operating pressure OP at the stated ambient temp. and medium temp. according to table	Means that the allowable operating pressure OP within the allowable ambient temperature also depends on the medium temperature in accordance with the specification table.		
Allowable operating pressure and operating temperature of pipe/tube must be observed!			

THREAD SEAL

Cylindrical threaded nipple	<table border="1"> <tr> <td>Thread sealed by a FKM O-Ring in recess</td> <td>applies to all cylindrical threaded nipples</td> </tr> </table>	Thread sealed by a FKM O-Ring in recess	applies to all cylindrical threaded nipples
Thread sealed by a FKM O-Ring in recess	applies to all cylindrical threaded nipples		

"ROTATABLE" VERSION

90° elbow-, T- and Y-adaptors, male	<table border="1"> <tr> <td>not suitable for rotating or oscill. movements</td> <td>Some types of fittings rotate 360° in order to facilitate alignment during assembly.</td> </tr> </table>	not suitable for rotating or oscill. movements	Some types of fittings rotate 360° in order to facilitate alignment during assembly.
not suitable for rotating or oscill. movements	Some types of fittings rotate 360° in order to facilitate alignment during assembly.		

SPECIAL VERSIONS (NOT INCLUDED IN THE CATALOGUE)

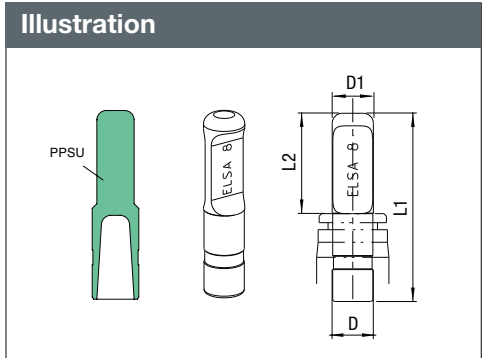
We also manufacture ELSA push-in fittings in various customer-specific versions.

- other O-ring materials such as EPDM, FDA-compliant
- for pipe/tube with inch dimensions
- "R" conical threaded fitting

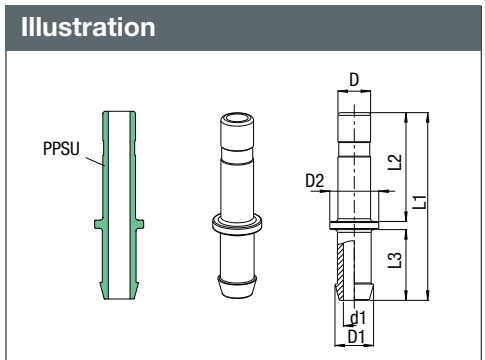
Home



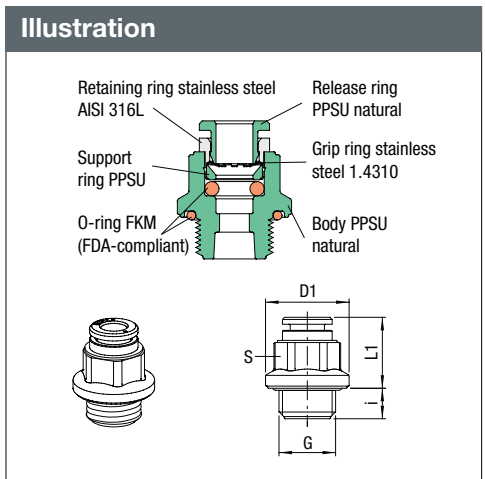
Push-in Plug											
Product group		Max. allow. OP at ambient temp.			NSF		Plastic PPSU				
15		T _{min} -20 °C, T _{max} +60 °C									
for push-in connector D		Max. allow. OP [bar] at medium temp.			L1	L2	D1	Weight in [g]	Type	Order number	Price
		20 °C	100 °C	140 °C							
4		20	16	10	31.5	17	6	0.7	971P3-4	237495	o. r.
6		20	16	10	34.5	19	8	1.2	971P3-6	237496	o. r.
8		16	12	10	37.5	20	8	1.7	971P3-8	237497	o. r.



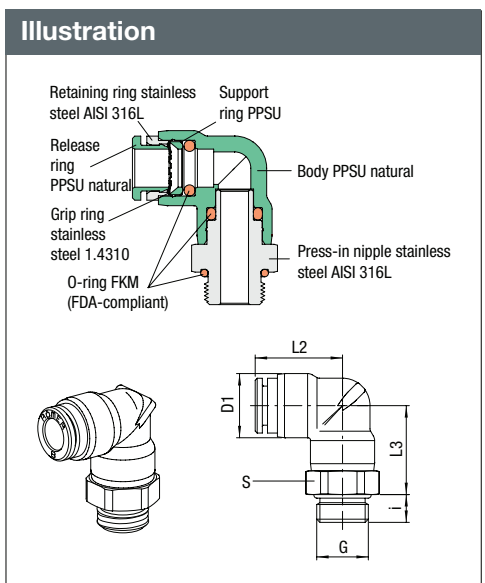
Straight Stem Connector with Hose Tail														
Product group		Max. allow. OP at ambient temp.			NSF		Plastic PPSU							
15		T _{min} -20 °C, T _{max} +60 °C												
for push-in connection	for tube LW	Max. allow. OP [bar] at medium temp.			d1	L1	L2	L3	D1	D2	Weight in [g]	Type	Order number	Price
		20 °C	100 °C	140 °C										
4	2.7-3	20	16	10	1.8	27	17	8.5	3.6	5.5	0.1	907P3-D4-3	281181	o. r.
4	3.5-4	20	16	10	2.5	28.5	17	10	5.1	6	0.1	907P3-D4-4	281182	o. r.
6	2.7-3	20	16	10	1.8	28.5	20	8.5	3.6	6	0.1	907P3-D6-3	281183	o. r.
6	3.5-4	20	16	10	2.8	30	20	10	5.1	6	0.1	907P3-D6-4	281184	o. r.
6	5-6	20	16	10	4	34.5	20	13	7.1	9	0.1	907P3-D6-7	281185	o. r.



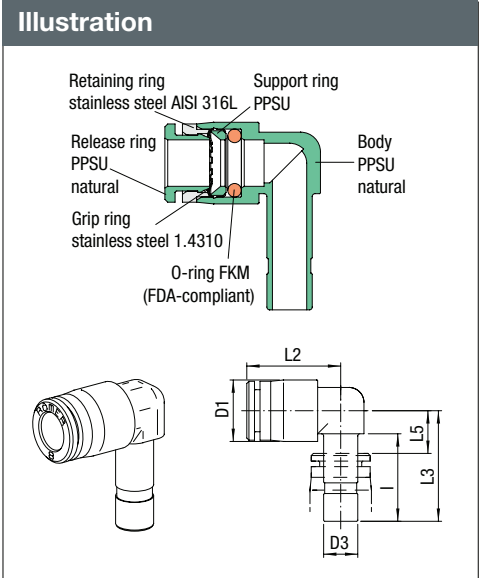
Straight Adaptor - Male															
Product group		Max. allow. OP at ambient temp.			Thread cylindrical		Thread sealed by a FKM O-Ring in recess		Tightening torque 3-3.5 Nm		NSF		Plastic PPSU		
15		temp. T _{min} 0 °C, T _{max} +60 °C													
for tube D	G	Max. allow. OP [bar] at medium temp.			i	L1	D1	S	Weight in [g]	Type	Order number	Price			
		20 °C	100 °C	140 °C											
4	G 1/8	20	16	10	6	17	16	14	4.3	951P3-4FF-1/8	367051	o. r.			
4	G 1/4	20	16	10	7	16	19	14	5.1	951P3-4FF-1/4	367052	o. r.			
6	G 1/8	20	16	10	6	17.5	16	14	4.6	951P3-6FF-1/8	367053	o. r.			
6	G 1/4	20	16	10	7	16.5	19	14	5.4	951P3-6FF-1/4	367054	o. r.			



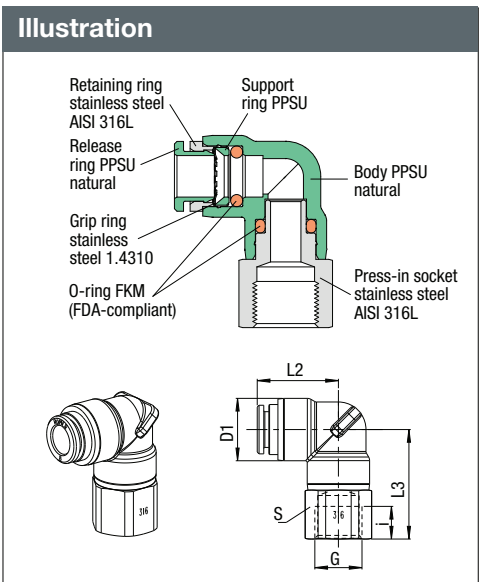
90° Elbow Adaptor - Male - Positionable															
Product group		Max. allow. OP at ambient temp.			Thread cylindrical		Thread sealed by a FKM O-Ring in recess		not suitable for rotating or oscill. movement		NSF		Plastic PPSU		
15		temp. T _{min} 0 °C, T _{max} +60 °C													
for tube D	G	Max. allow. OP [bar] at medium temp.			i	L2	L3	D1	S	Weight in [g]	Type	Order number	Price		
		20 °C	100 °C	140 °C											
4	M 5	20	16	10	3.5	15	11	10	8	3.7	930P3-4FF-M5	367057	o. r.		
4	G 1/8	20	16	10	5	17.5	18.5	12	13	14.4	930P3-4FF-1/8	367058	o. r.		
4	G 1/4	20	16	10	7	19	20	12	17	24	930P3-4FF-1/4	367059	o. r.		
6	M 5	20	16	10	3.5	17	11	12	8	4.3	930P3-6FF-M5	367060	o. r.		
6	G 1/8	20	16	10	5	19.5	19.5	14	13	15.6	930P3-6FF-1/8	367061	o. r.		
6	G 1/4	20	16	10	7	19.5	20	14	17	24.2	930P3-6FF-1/4	367062	o. r.		
8	G 1/8	16	12	6	5	22.5	22.5	17	17	25	930P3-8FF-1/8	366805	o. r.		
8	G 1/4	16	12	6	7	22.5	22.5	17	17	40.0	930P3-8FF-1/4	366806	o. r.		
8	G 3/8	16	12	6	8	22.5	22.5	17	19	38.4	930P3-8FF-3/8	366807	o. r.		



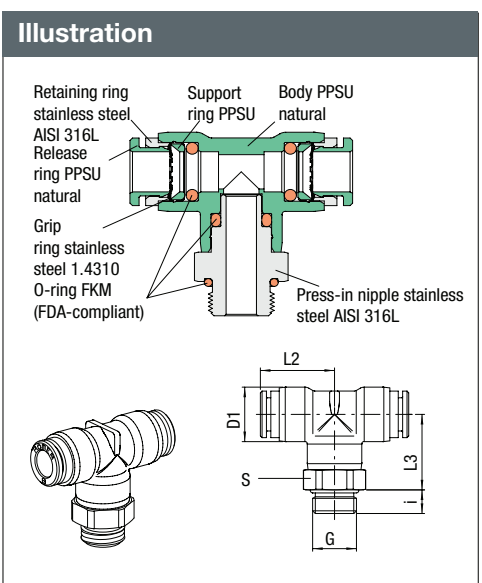
90° Elbow Connector with Stem													
Product group		Max. allow. OP at ambient temp. T_{min} 0 °C, T_{max} +60 °C			NSF		Plastic PPSU						
for tube D	Stem D3	Max. allow. OP [bar] at medium temp.			i	L2	L3	D1	L5	Weight in [g]	Type	Order number	Price
		20 °C	100 °C	140 °C									
4	4	20	16	10	17.5	19	22	12.5	7	o. r.	911P3-4FF-D4	367001	o. r.
4	6	20	16	10	18.5	19	23	12.5	7.2	o. r.	911P3-4FF-D6	367002	o. r.
6	4	20	16	10	17.5	19.5	22	14	7	o. r.	911P3-6FF-D4	367003	o. r.
6	6	20	16	10	18.5	19.5	23	14	7.2	o. r.	911P3-6FF-D6	367004	o. r.



90° Elbow Adaptor - Female - Positionable													
Product group		Max. allow. OP at ambient temp. T_{min} 0 °C, T_{max} +60 °C			Thread cylindrical		not suitable for rotating or oscill. movement		NSF		Plastic PPSU		
for tube D	G	Max. allow. OP [bar] at medium temp.			i	L2	L3	D1	S	Weight in [g]	Type	Order number	Price
		20 °C	100 °C	140 °C									
4	G 1/8	20	16	10	6.5	19	24.5	12	13	15.9	979P3-4FF-1/8	366762	o. r.
4	G 1/4	20	16	10	9	19	27.5	12	17	24.3	979P3-4FF-1/4	366763	o. r.
6	G 1/8	20	16	10	6.5	19.5	24.5	14	13	16.4	979P3-6FF-1/8	366764	o. r.
6	G 1/4	20	16	10	9	19.5	27.5	14	17	24.8	979P3-6FF-1/4	366765	o. r.
8	G 1/8	16	12	6	6.5	22.5	25.5	17	17	26.4	979P3-8FF-1/8	366766	o. r.
8	G 1/4	16	12	6	9	22.5	30.5	17	17	30.3	979P3-8FF-1/4	366767	o. r.

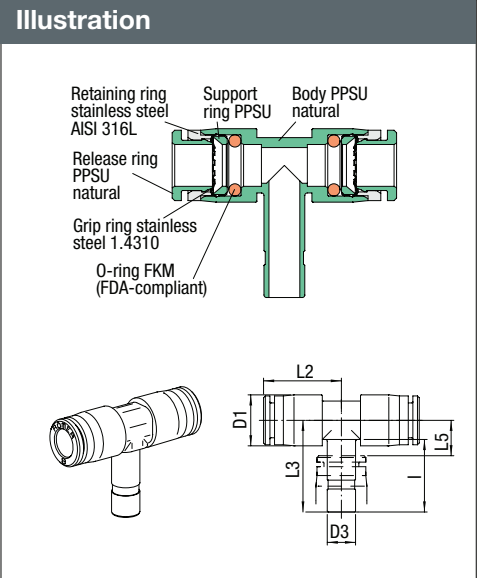


T-Adaptor - Male - Positionable														
Product group		Max. allow. OP at ambient temp. T_{min} 0 °C, T_{max} +60 °C			Thread cylindrical		Thread sealed by a FKM O-Ring in recess		not suitable for rotating or oscill. movement		NSF		Plastic PPSU	
for tube D	G	Max. allow. OP [bar] at medium temp.			i	L2	L3	D1	S	Weight in [g]	Type	Order number	Price	
		20 °C	100 °C	140 °C										
4	G 1/8	20	16	10	5	19	19.5	14	13	18.7	921P3-4FF-1/8	367065	o. r.	
4	G 1/4	20	16	10	7	19	20	14	17	27.3	921P3-4FF-1/4	367066	o. r.	
6	G 1/8	20	16	10	5	19.5	19.5	14	13	18.9	921P3-6FF-1/8	367067	o. r.	
6	G 1/4	20	16	10	7	19.5	20	14	17	27.6	921P3-6FF-1/4	367068	o. r.	
8	G 1/8	16	12	6	5	22.5	22.5	17	17	28.8	921P3-8FF-1/8	366810	o. r.	
8	G 1/4	16	12	6	7	22.5	22.5	17	17	33.3	921P3-8FF-1/4	366811	o. r.	
8	G 3/8	16	12	6	8	22.5	22.5	17	19	42.2	921P3-8FF-3/8	366812	o. r.	

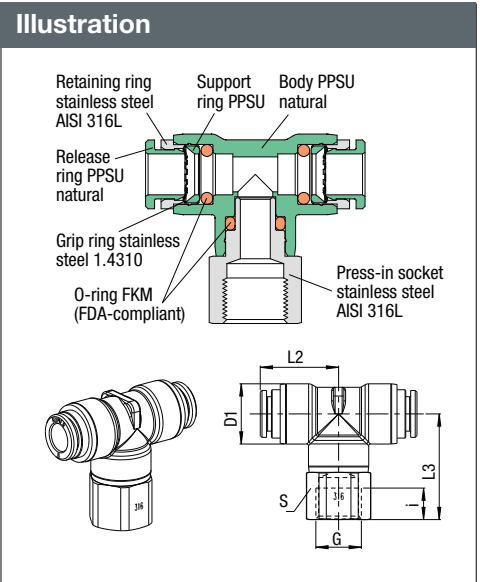




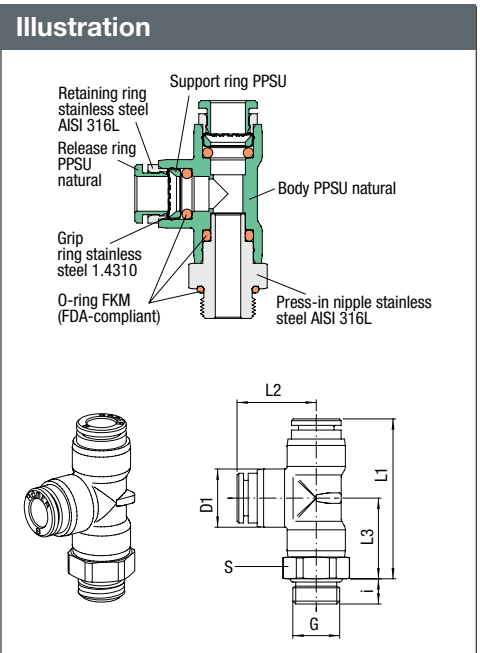
T-STEM Connector													
Product group		Max. allow. OP at ambient temp. $T_{min} 0\text{ }^{\circ}\text{C}, T_{max} +60\text{ }^{\circ}\text{C}$			NSF		Plastic PPSU						
for tube D	Stem D3	Max. allow. OP [bar] at medium temp.			i	L2	L3	D1	L5	Weight in [g]	Type	Order number	Price
		20 °C	100 °C	140 °C									
4	4	20	16	10	17.5	19	22	12.5	9	o. r.	912P3-4FF-D4	367007	o. r.
4	6	20	16	10	18.5	19	23	12.5	9	o. r.	912P3-4FF-D6	367008	o. r.
6	4	20	16	10	17.5	19.5	22	14	9	o. r.	912P3-6FF-D4	367009	o. r.
6	6	20	16	10	18.5	19.5	23	14	9	o. r.	912P3-6FF-D6	367010	o. r.



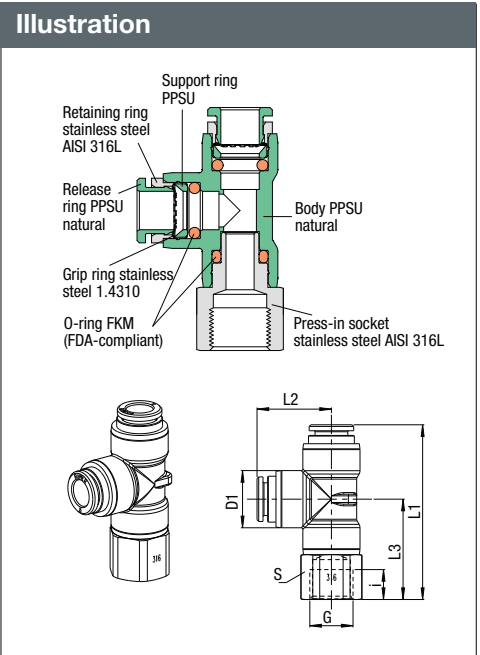
T-Adaptor - Female - Positionable														
Product group		Max. allow. OP at ambient temp. $T_{min} 0\text{ }^{\circ}\text{C}, T_{max} +60\text{ }^{\circ}\text{C}$			Thread cylindrical		not suitable for rotating or oscill. movement				NSF		Plastic PPSU	
for tube D	G	Max. allow. OP [bar] at medium temp.			i	L2	L3	D1	S	Weight in [g]	Type	Order number	Price	
		20 °C	100 °C	140 °C										
4	G 1/8	20	16	10	6.5	19	24.5	12	13	18.7	970P3-4FF-1/8	366770	o. r.	
4	G 1/4	20	16	10	9	19	27.5	12	17	27.1	970P3-4FF-1/4	366771	o. r.	
6	G 1/8	20	16	10	6.5	19.5	24.5	14	13	19	970P3-6FF-1/8	366772	o. r.	
6	G 1/4	20	16	10	9	19.5	27.5	14	17	27.4	970P3-6FF-1/4	366773	o. r.	
8	G 1/8	16	12	6	6.5	22.5	25.5	17	17	30.4	970P3-8FF-1/8	366774	o. r.	
8	G 1/4	16	12	6	9	22.5	30.5	17	17	34.3	970P3-8FF-1/4	366775	o. r.	



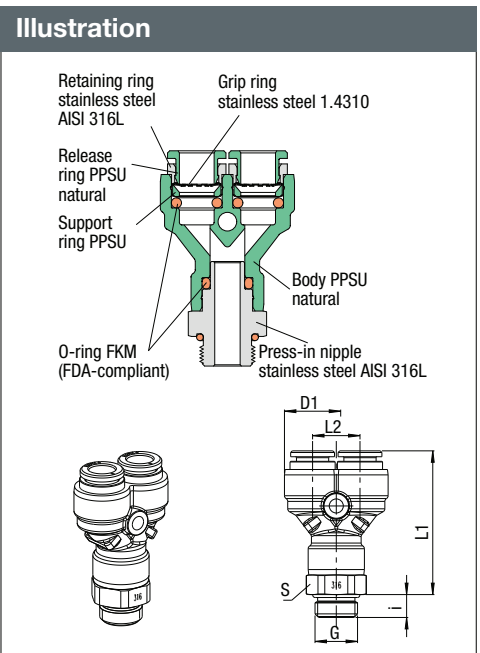
Side T-Adaptor - Male - Positionable																
Product group		Max. allow. OP at ambient temp. $T_{min} 0\text{ }^{\circ}\text{C}, T_{max} +60\text{ }^{\circ}\text{C}$			Thread cylindrical		Thread sealed by a FKM O-Ring in recess		not suitable for rotating or oscill. movement				NSF		Plastic PPSU	
for tube D	G	Max. allow. OP [bar] at medium temp.			i	L1	L2	L3	D1	S	Weight in [g]	Type	Order number	Price		
		20 °C	100 °C	140 °C												
4	G 1/8	20	16	10	5	38.5	19	19.5	14	13	18.7	922P3-4FF-1/8	367071	o. r.		
4	G 1/4	20	16	10	7	39	19	20	14	17	27.3	922P3-4FF-1/4	367072	o. r.		
6	G 1/8	20	16	10	5	39	19.5	19.5	14	13	18.9	922P3-6FF-1/8	367073	o. r.		
6	G 1/4	20	16	10	7	39.5	19.5	20	14	17	27.6	922P3-6FF-1/4	367074	o. r.		
8	G 1/8	16	12	6	5	44	22.5	22.5	17	17	28.8	922P3-8FF-1/8	366815	o. r.		
8	G 1/4	16	12	6	7	45	22.5	22.5	17	17	33.3	922P3-8FF-1/4	366816	o. r.		
8	G 3/8	16	12	6	8	45	22.5	22.5	17	19	42.2	922P3-8FF-3/8	366817	o. r.		



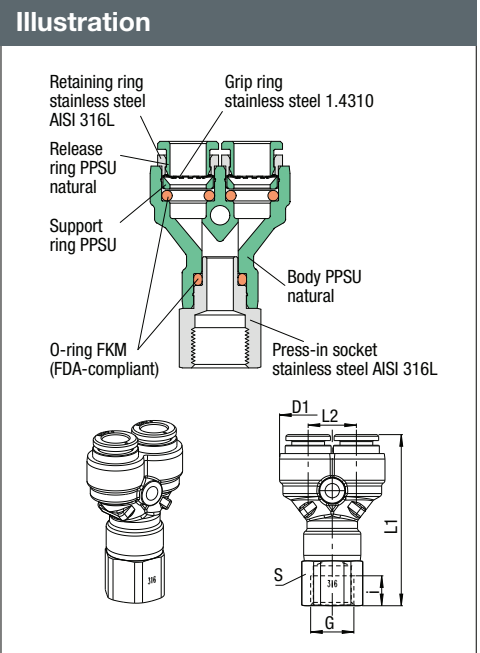
Side T-Adaptor - Female - Positionable														
Product group	15	Max. allow. OP at ambient temp. T_{min} 0 °C, T_{max} +60 °C			i	Thread cylindrical	not suitable for rotating or oscill. movement					NSF	Plastic PPSU	
		20 °C	100 °C	140 °C			L1	L2	L3	D1	S			Weight in [g]
4	G 1/8	20	16	10	6.5	43.5	19	24.5	12	13	18.7	923P3-4FF-1/8	366778	o. r.
4	G 1/4	20	16	10	9	46.5	19	27.5	12	17	27.1	923P3-4FF-1/4	366779	o. r.
6	G 1/8	20	16	10	6.5	44	19.5	24.5	14	13	19	923P3-6FF-1/8	366780	o. r.
6	G 1/4	20	16	10	9	47	19.5	27.5	14	17	27.4	923P3-6FF-1/4	366781	o. r.
8	G 1/8	16	12	6	6.5	48	22.5	25.5	17	17	30.4	923P3-8FF-1/8	366782	o. r.
8	G 1/4	16	12	6	9	53	22.5	30.5	17	17	34.3	923P3-8FF-1/4	366783	o. r.



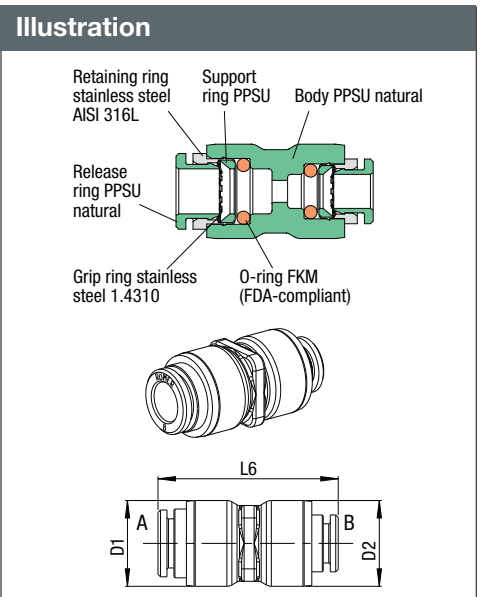
Y-Adaptor - Male - Positionable													
Product group	15	Max. allow. OP at ambient temp. T_{min} 0 °C, T_{max} +60 °C			i	Thread cylindrical	Thread sealed by a FKM O-Ring in recess		not suitable for rotating or oscill. movement			NSF	Plastic PPSU
		20 °C	100 °C	140 °C			L1	L2	D1	S	Weight in [g]		
4	G 1/8	20	16	10	5	38.5	12.5	12.5	13	19.7	992P3-4FF-1/8	367077	o. r.
4	G 1/4	20	16	10	7	39	12.5	14	17	20.2	992P3-4FF-1/4	367078	o. r.
6	G 1/8	20	16	10	5	39	12.5	14	13	20.2	992P3-6FF-1/8	367079	o. r.
6	G 1/4	20	16	10	7	39.5	12.5	14	17	28.9	992P3-6FF-1/4	367080	o. r.
8	G 1/8	16	12	6	5	43.5	14.5	17	17	29.2	992P3-8FF-1/8	366820	o. r.
8	G 1/4	16	12	6	7	43.5	14.5	17	17	33.7	992P3-8FF-1/4	366821	o. r.
8	G 3/8	16	12	6	8	43.5	14.5	17	19	42.6	992P3-8FF-3/8	366822	o. r.



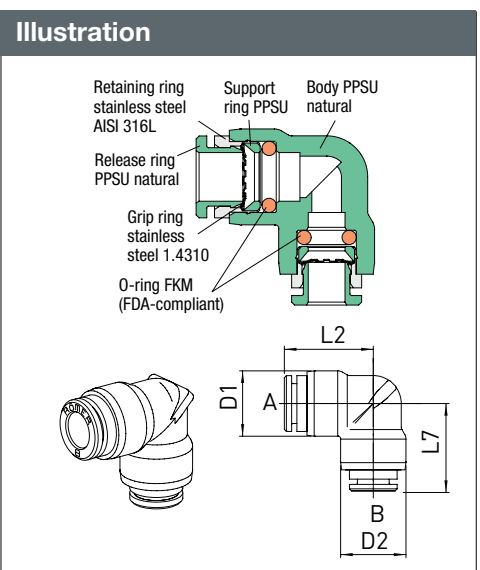
Y-Adaptor - Female - Positionable														
Product group		15			Max. allow. OP at ambient temp. T_{min} 0 °C, T_{max} +60 °C			Thread cylindrical		not suitable for rotating or oscill. movement			NSF	Plastic PPSU
for tube D	G	Max. allow. OP [bar] at medium temp.			i	L1	L2	D1	S	Weight in [g]	Type	Order number	Price	
		20 °C	100 °C	140 °C										
4	G 1/8	20	16	10	6.5	43.5	12.5	12.5	13	19.4	993P3-4FF-1/8	366786	o. r.	
4	G 1/4	20	16	10	9	46.5	12.5	14	17	27.9	993P3-4FF-1/4	366787	o. r.	
6	G 1/8	20	16	10	6.5	44	12.5	14	13	19.7	993P3-6FF-1/8	366788	o. r.	
6	G 1/4	20	16	10	9	47	12.5	14	17	28.1	993P3-6FF-1/4	366789	o. r.	
8	G 1/8	16	12	6	6.5	46.5	14.5	17	17	31.3	993P3-8FF-1/8	366790	o. r.	
8	G 1/4	16	12	6	9	51.5	14.5	17	17	33.7	993P3-8FF-1/4	366791	o. r.	



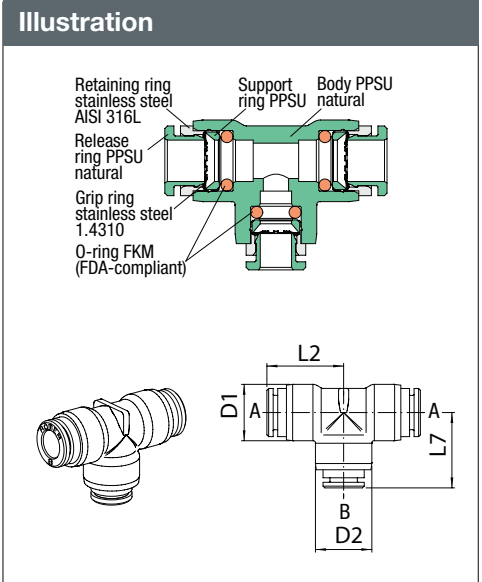
Straight Connector											
Product group		15			Max. allow. OP at ambient temp. T_{min} 0 °C, T_{max} +60 °C			NSF		Plastic PPSU	
for tube AD	for tube BD	Max. allow. OP [bar] at medium temp.			L6	D1	D2	Weight in [g]	Type	Order number	Price
		20 °C	100 °C	140 °C							
4	4	20	16	10	32	12.5	12.5	6	958P3-4FF	367083	o. r.
6	4	20	16	10	32.5	14	14	6.7	958P3-6-4FF	367084	o. r.
6	6	20	16	10	33	14	14	7	958P3-6FF	367085	o. r.
8	6	16	12	6	36	17	17	10.4	958P3-8-6FF	367086	o. r.
8	8	16	12	6	36.5	17	17	11.1	958P3-8FF	367087	o. r.



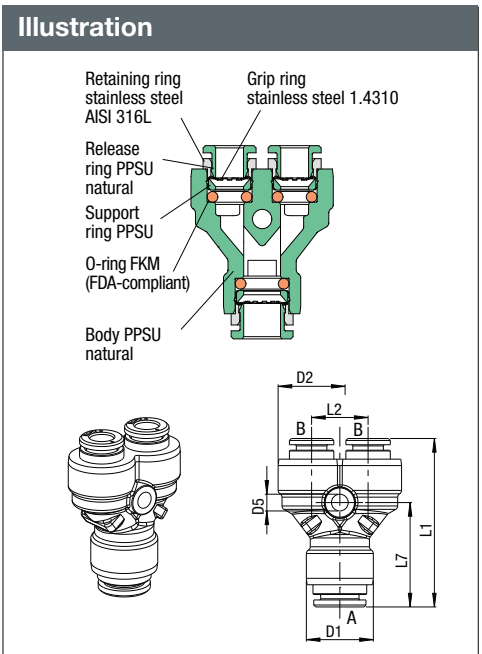
90° Elbow Connector												
Product group		15			Max. allow. OP at ambient temp. T_{min} 0 °C, T_{max} +60 °C			NSF		Plastic PPSU		
for tube AD	for tube BD	Max. allow. OP [bar] at medium temp.			L2	L7	D1	D2	Weight in [g]	Type	Order number	Price
		20 °C	100 °C	140 °C								
4	4	20	16	10	17.5	17.5	12	12	6.5	955P3-4FF	367088	o. r.
6	4	20	16	10	19.5	19	14	14	7.2	955P3-6-4FF	367089	o. r.
6	6	20	16	10	19.5	19.5	14	14	7.5	955P3-6FF	367090	o. r.
8	6	16	12	6	22.5	22	17	17	12.5	955P3-8-6FF	367091	o. r.
8	8	16	12	6	22.5	22.5	17	17	13	955P3-8FF	367092	o. r.



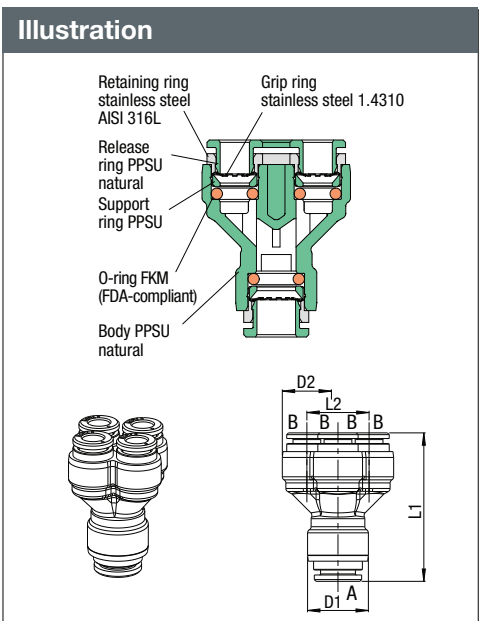
T-Connector												
Product group		15			Max. allow. OP at ambient temp. $T_{min} 0\text{ }^{\circ}\text{C}, T_{max} +60\text{ }^{\circ}\text{C}$			NSF		Plastic PPSU		
for tube AD	for tube BD	Max. allow. OP [bar] at medium temp.			L2	L7	D1	D2	Weight in [g]	Type	Order number	Price
		20 °C	100 °C	140 °C								
4	4	20	16	10	17.5	17.5	12	12	9.4	954P3-4FF	367093	o. r.
6	4	20	16	10	19.5	19	14	14	10.6	954P3-6-4FF	367094	o. r.
6	6	20	16	10	19.5	19.5	14	14	11	954P3-6FF	367095	o. r.
6	8	16	12	6	22.5	22.5	17	17	15.5	954P3-8-8FF	367082	o. r.
8	6	16	12	6	22.5	22	17	17	17.8	954P3-8-6FF	367096	o. r.
8	8	16	12	6	22.5	22.5	17	17	18.3	954P3-8FF	367097	o. r.



Y-Connector														
Product group		15			Max. allow. OP at ambient temp. $T_{min} 0\text{ }^{\circ}\text{C}, T_{max} +60\text{ }^{\circ}\text{C}$			NSF		Plastic PPSU				
for tube AD	for tube BD	Max. allow. OP [bar] at medium temp.			L1	L2	L7	D1	D2	D5	Weight in [g]	Type	Order number	Price
		20 °C	100 °C	140 °C										
4	4	20	16	10	38	12.5	23	12.5	12.5	3.3	10.3	982P3-4FF	367098	o. r.
6	4	20	16	10	38.5	12.5	23.5	14	14	3.3	11.4	982P3-6-4FF	367099	o. r.
6	6	20	16	10	39	12.5	23.5	14	14	3.3	12	982P3-6FF	367100	o. r.
8	6	16	12	6	43.5	14.5	27	17	17	4.3	16	982P3-8-6FF	366801	o. r.
8	8	16	12	6	43.5	14.5	27	17	17	4.3	18	982P3-8FF	366802	o. r.

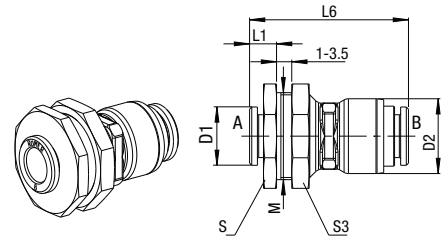
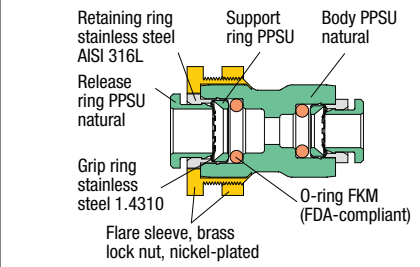


Double Y-Connector												
Product group		15			Max. allow. OP at ambient temp. $T_{min} 0\text{ }^{\circ}\text{C}, T_{max} +60\text{ }^{\circ}\text{C}$			NSF		Plastic PPSU		
for tube AD	for tube BD	Max. allow. OP [bar] at medium temp.			L1	L2	D1	D2	Weight in [g]	Type	Order number	Price
		20 °C	100 °C	140 °C								
6	6	20	16	10	41.5	17.5	17	14	12	984P3-6FF	366803	o. r.
8	6	16	12	6	42	17.5	17	14	12	984P3-8-6FF	366804	o. r.



Straight Bulkhead Connector

for tube AD	for tube BD	Max. allow. OP [bar] at medium temp.			M	L1	L6	D1	D2	S	S3	Weight in [g]	Type	Order number	Price
		20 °C	100 °C	140 °C											
4	4	20	16	10	M16x1	6.3	31.5	9.5	12.7	19	19	18.2	959P3-4FF	366794	o. r.
6	6	20	16	10	M16x1	6.5	32.9	11.5	13.9	19	19	17.1	959P3-6FF	366795	o. r.
8	8	16	12	6	M20x1	7.8	36.5	13.4	17.2	24	24	28.1	959P3-8FF	366796	o. r.

Illustration


Home

