

# 迷你型流量比例阀 Miniature Proportional

## KLPV-HP



阀门类型 Valve Type : 二口二位常闭式 2-Way Normally Closed

接线方式 Electrical Connection : 出线型 Flying Wire Leads

耗电量 Power Consumption : 14 watts (max)

控制电压范围 Voltage Range : 24 VDC

工作压力 Working Pressure : 0~20 bar

孔径大小 Orifice Size(mm) : 1, 1.5, 2, 3 and 3.5

口径 Prot Types : G1/4"

密封圈 Seal Material : Viton

接触介质材料 Wetted Materials : 铜镀化学镍, 黄铜或不锈钢 304

Cold rolled stainless steel w/ electroless nickel plating, brass and 304 stainless steel

温度范围 Temperature Range : -320 to 120°F (-196 to 50°C)

最大迟滞现象 Maximum Hysteresis : 10-15% of full current (随最大流量变化 (varies with max flow))

流量 Flow : 0~300 LPM of Air

泄漏率 Leak Rate : 采用气密性油封 Bubble Tight Seal

重量 Weight : 300g

前端过滤 Filtration : 建议 40 Micron

我们提供了高流量小型尺寸比例阀。这款非阀芯的设计采用了一个移动件来确保无摩擦的性能和寿命高达 1,000 万次的循环。这种设计确保了简易的维修和清理。我们的阀体可耐高温和低温，在不同的环境下可展现相同的性能。适用于空气、氢气、氧气。安装方式提供了在线和排座的选项。

We offer high flow small size proportional valves. This non-spool design uses a moving part to ensure frictionless performance and a lifespan of up to 10 million cycles. This design ensures easy maintenance and cleaning. Our valve bodies are resistant to high and low temperatures, showing the same performance in different environments, suitable for air, hydrogen, oxygen. Mounting options provide in-line and manifold options.

订购型号 Ordering Code

**KLPV — HP — P — 24 —**

代号 Code	孔径 orifice	耐压 Max. Inlet Pressure	最大流量@3bar Max. Flow
10	1 mm	35 bar	30 L/min
15	1.5 mm	25 bar	70 L/min
20	2 mm	15 bar	125 L/min
30	3 mm	9.5 bar	230 L/min
35	3.5 mm	4 bar	310 L/min



**Kao Lu Enterprises Co., Ltd. TEL:886-4-24874219 · 24860626**  
**Genn Dih Enterprises Co., Ltd. FAX:886-4-24864269 · 24862824**  
**Web:www.genndih.com E-mail:genndih@ms43.hinet.net**  
 No. 17, Lane 822, Sec. 2, Zhongxing Rd., Dail Dist., Taichung City 41244, Taiwan(R.O.C)

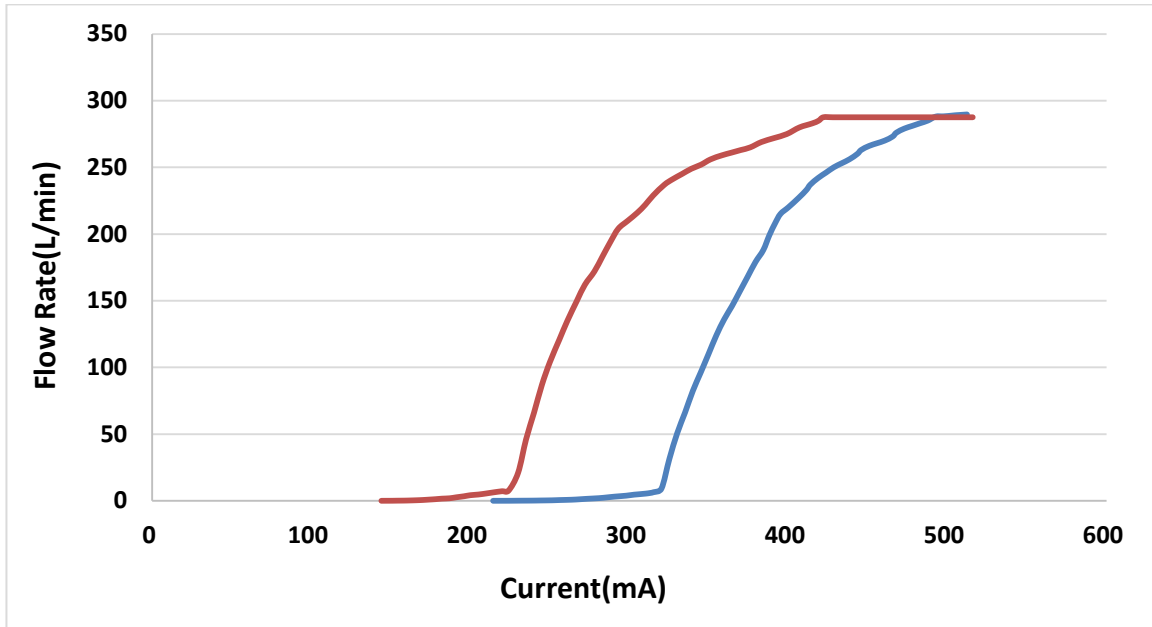
# 迷你型流量比例阀 Miniature Proportional

## KLPV-HP

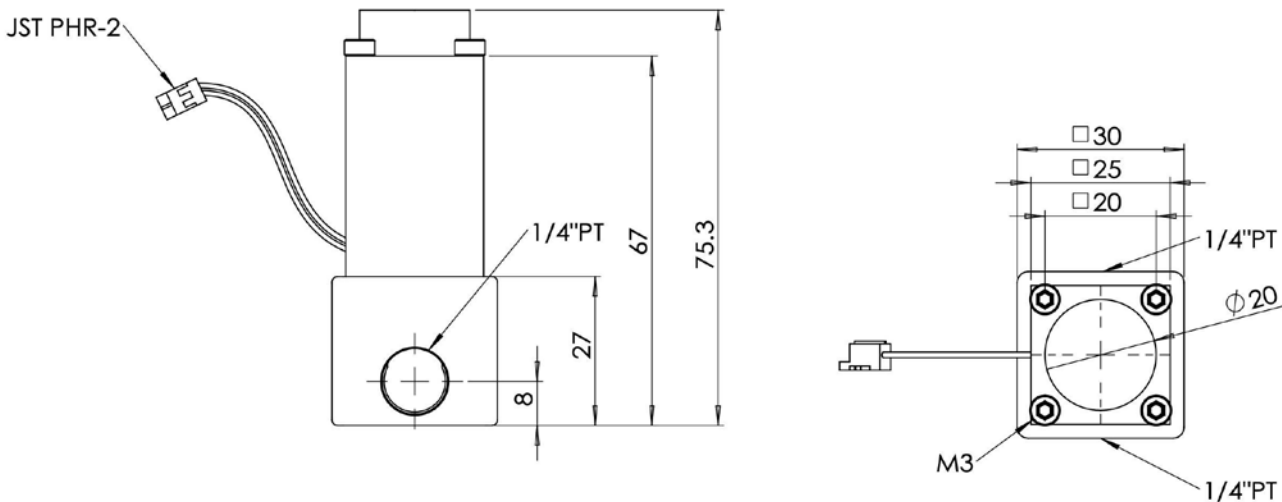


### 标准流量特性曲线 Typical Performance Characteristics

(入气 inlet@3bar, 孔径 orifice: 3mm, 管内径 tube I.D.: 10mm)



### 外观尺寸 Dimensions (mm)



**Kao Lu Enterprises Co., Ltd. TEL:886-4-24874219 · 24860626**  
**Genn Dih Enterprises Co., Ltd. FAX:886-4-24864269 · 24862824**  
**Web:www.genndih.com E-mail:genndih@ms43.hinet.net**  
 No. 17, Lane 822, Sec. 2, Zhongxing Rd., Dail Dist., Taichung City 41244, Taiwan(R.O.C)



**Kao Lu Enterprises Co., Ltd. TEL:886-4-24874219 · 24860626**  
**Genn Dih Enterprises Co., Ltd. FAX:886-4-24864269 · 24862824**  
**Web:www.genndih.com E-mail:genndih@ms43.hinet.net**  
**No. 17, Lane 822, Sec. 2, Zhongxing Rd., Dail Dist., Taichung City 41244, Taiwan(R.O.C)**