

迷你型流量比例阀 Miniature Proportional Valve

KLPV-HP



阀门类型 Valve Type : 二口二位常闭式 2-Way Normally Closed
 接线方式 Electrical Connection : 出线型 Flying Wire Leads
 耗电量 Power Consumption : 5 watts 或 14 watts (max)
 控制电压范围 Voltage Range : 24 VDC
 工作压力 Working Pressure : 0~20 bar
 孔径大小 Orifice Size(mm) : 1, 1.5, 2, 3 and 3.5
 口径 Prot Types : G1/4"
 密封圈 Seal Material : Viton
 接触介质材料 Wetted Materials : 铜镀化学镍, 黄铜或不锈钢304
 Cold rolled stainless steel w/ electroless nickel plating, brass and 304 stainless steel
 温度范围 Temperature Range : -320 to 120°F (-196 to 50°C)
 最大迟滞现象 Maximum Hysteresis : 10-15% of full current (随最大流量变化 (varies with max flow))
 流量 Flow : 0~300 LPM of Air
 泄漏率 Leak Rate : 采用气密性油封 Bubble Tight Seal
 重量 Weight : 300g
 前端过滤 Filtration : 建议 40 Micron

我们提供了高流量小型尺寸比例阀。这款非阀芯的设计采用了一个移动件来确保无摩擦的性能和寿命高达 1,000 万次的循环。这种设计确保了简易的维修和清理。我们的阀体可耐高温和低温，在不同的环境下可展现相同的性能。适用于空气、氢气、氧气。安装方式提供了在线和排座的选项。

We offer high flow small size proportional valves. This non-spool design uses a moving part to ensure frictionless performance and a lifespan of up to 10 million cycles. This design ensures easy maintenance and cleaning. Our valve bodies are resistant to high and low temperatures, showing the same performance in different environments, suitable for air, hydrogen, oxygen. Mounting options provide in-line and manifold options.

订购型号 Ordering Code

KLPV - HP - P - 24 - -

耗电量

Power Consumption

5	5W
14	14W

代号 Code	孔径 Orifice	耐压(bar) Max. Inlet Pressure		最大流量 Max. Flow(L/min)	
		5W	14W	5W	14W
10	1 mm	43	35	16 @3bar	30 @3bar
15	1.5 mm	22	25	33 @3bar	70 @3bar
20	2 mm	10	15	54 @3bar	125 @3bar
25	2.5 mm	6	-	95 @3bar	-
30	3 mm	2	9.5	105 @2bar	230 @3bar
35	3.5 mm	1	4	78 @1bar	310 @3bar



Kao Lu Enterprises Co., Ltd. TEL:886-4-24874219 · 24860626
Genn Dih Enterprises Co., Ltd. FAX:886-4-24864269 · 24862824
Web:www.genndih.com E-mail:genndih@ms43.hinet.net
 No. 17, Lane 822, Sec. 2, Zhongxing Rd., Dail Dist., Taichung City 41244, Taiwan(R.O.C)

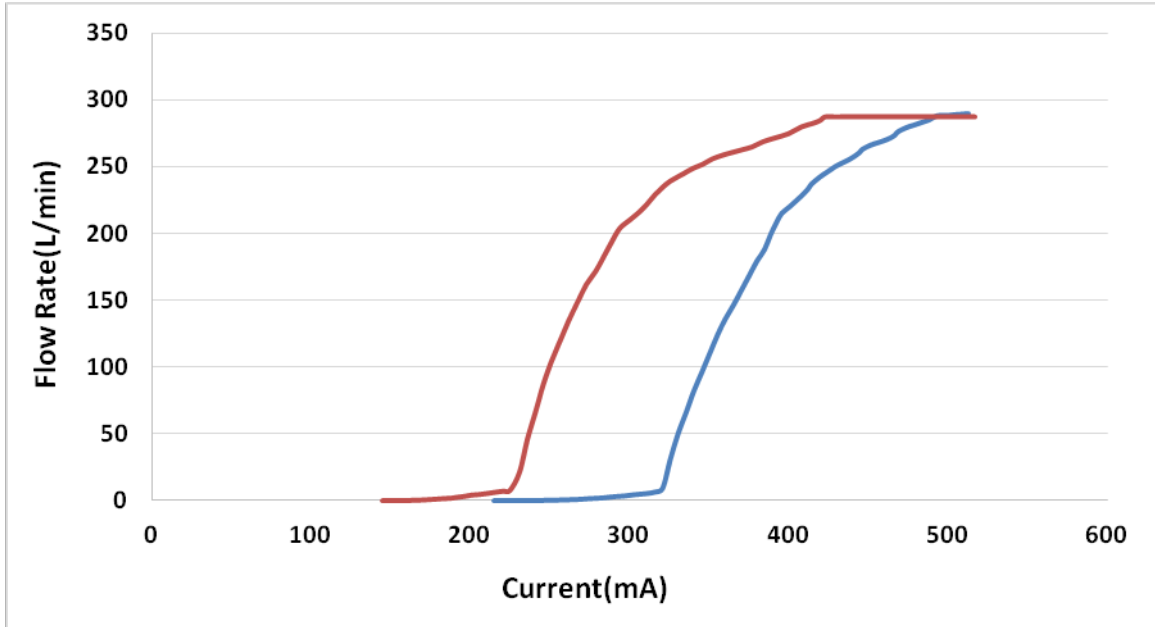
迷你型流量比例阀 Miniature Proportional Valve

KLPV-HP

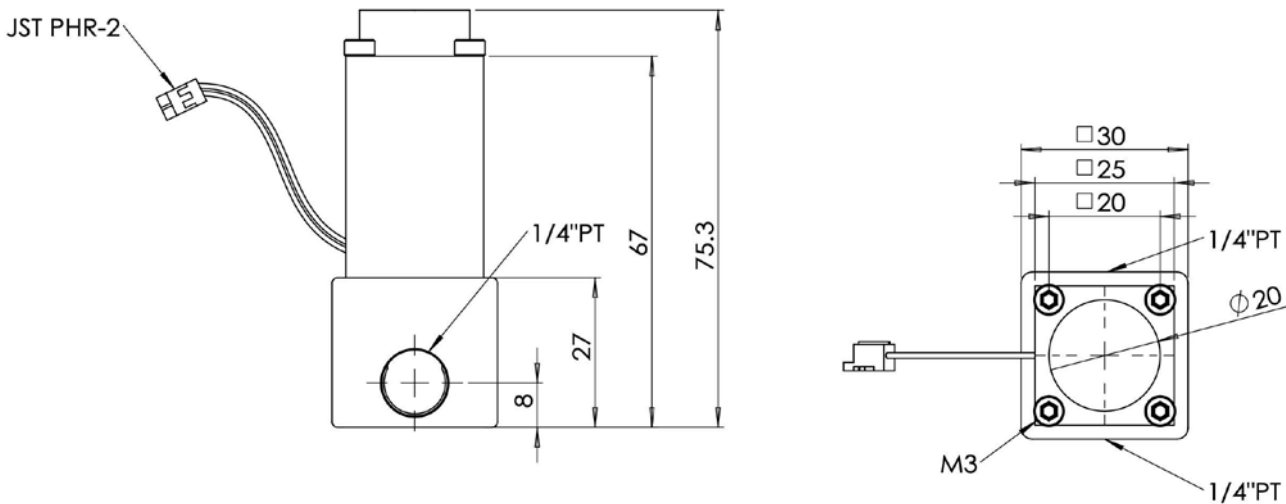


标准流量特性曲线 Typical Performance Characteristics

14W(入气 inlet@3bar, 孔径 orifice: 3mm, 管内径 tube I.D.):



外观尺寸 Dimensions (mm)



Kao Lu Enterprises Co., Ltd. TEL:886-4-24874219 · 24860626
Genn Dih Enterprises Co., Ltd. FAX:886-4-24864269 · 24862824
Web:www.genndih.com E-mail:genndih@ms43.hinet.net
 No. 17, Lane 822, Sec. 2, Zhongxing Rd., Dail Dist., Taichung City 41244, Taiwan(R.O.C)



Kao Lu Enterprises Co., Ltd. TEL:886-4-24874219 · 24860626
Genn Dih Enterprises Co., Ltd. FAX:886-4-24864269 · 24862824
Web:www.genndih.com E-mail:genndih@ms43.hinet.net
No. 17, Lane 822, Sec. 2, Zhongxing Rd., Dail Dist., Taichung City 41244, Taiwan(R.O.C)